



USER MANUAL
РУКОВОДСТВО ПО ЭКСПЛУАТАЦИИ

MBW 381 BL | MBW 381 IX

EN MICROWAVE
OVEN

RU МИКРОВОЛНОВАЯ
ПЕЧЬ



English	3
Русский	20

Important safety instructions 4

Cleaning 7

Utensils 8

Setting up your oven..... 10

Installation and connection 11

Installation Instruction 11

Operation instruction..... 14

Trouble shooting 19

Important safety instructions



Attention

Read these instructions carefully before using your microwave oven, and keep it carefully. If you follow the instructions, your oven will provide you with many years of good service.

Save these instructions carefully.

Precautions to avoid possible exposure to excessive microwave energy

(a) Do not attempt to operate this oven with the door open since this can result in harmful exposure to microwave energy. It is important not to break or tamper with the safety interlocks.

(b) Do not place any object between the oven front face and the door or allow soil or cleaner residue to accumulate on sealing surfaces.



Warning

If the door or door seals are damaged, the oven must not be operated until it has been repaired by a competent person.

Addendum

If the apparatus is not maintained in a good state of cleanliness, its surface could be degraded and affect the lifespan of the apparatus and lead to a dangerous situation.

Specifications

Model	MBW 381 BL/IX
Rated Voltage	230 V ~ 50 Hz
Microwave Input	1270 W
Microwave Output	800 W
Grill	1000 W

To reduce the risk of fire, electric shock, injury to persons or exposure to excessive microwave oven energy when using your appliance, follow basic precautions, including the following:

1. Read and follow the specific: "**Precautions to avoid possible exposure to excessive microwave energy**".

2. This appliance can be used by children aged from 8 years and above and persons with reduced physical, sensory or mental capabilities or lack of experience and knowledge if they have been given supervision or instruction concerning use of the appliance in a safe way and understand the hazards involved. Children shall not play with the appliance. Cleaning and user maintenance shall not be made by children unless they are older than 8 and supervised. Children less than 8 years of age shall be kept away unless continuously supervised.

3. Keep the appliance and its cord out of reach of children less than 8 years.

4. If the supply cord is damaged, it must be replaced by the manufacturer, its service agent or similarly qualified persons in order to avoid a hazard (for appliance with type Y attachment).



Warning

Ensure that the appliance is switched off before replacing the lamp to avoid the possibility of electric shock.



Warning

It is hazardous for anyone other than a competent person to carry out any service or repair operation that involves the removal of a cover which gives protection against exposure to microwave energy.



Warning

Liquids and other foods must not be heated in sealed containers since they are liable to explode.

5. When heating food in plastic or paper containers, keep an eye on the oven due to the possibility of ignition.

6. Only use utensils that are suitable for use in microwave ovens.

7. If smoke is emitted, switch off or unplug the appliance and keep the door closed in order to stifle any flames.

8. Microwave heating of beverages can result in delayed eruptive boiling, therefore care must be taken when handling the container.

9. The contents of feeding bottles and baby food jars shall be stirred or shaken and the temperature checked before consumption, in order to avoid burns.

10. Eggs in their shell and whole hard-boiled eggs should not be heated in microwave ovens since they may explode, even after microwave heating has ended.

11. The oven should be cleaned regularly and any food deposits removed.

12. Failure to maintain the oven in a clean condition could lead to deterioration of the surface that could adversely affect the life of the appliance and possibly result in a hazardous situation.

Important safety instructions

13. Only use the temperature probe recommended for this oven (for ovens provided with a facility to use a temperature-sensing probe).
14. The microwave oven must be operated with the decorative door open (for ovens with a decorative door).
15. This appliance is intended to be used in household and similar applications such as:
 - staff kitchen areas in shops, offices and other working environments;
 - by clients in hotels, motels and other residential type environments;
 - farm houses;
 - bed and breakfast type environments.
16. The microwave oven is intended for heating food and beverages. Drying of food or clothing and heating of warming pads, slippers, sponges, damp cloth and similar may lead to risk of injury, ignition or fire.
17. Metallic containers for food and beverages are not allowed during microwave cooking.
18. The appliance shall not be cleaned with a steam cleaner.
19. Care should be taken not to displace the turntable when removing containers from the appliance (for fixed appliances and built-in appliances being used equal or higher than **900 mm** above the floor and having detachable turntables. But this is not applicable for appliances with horizontal bottom hinged door).
20. The microwave oven is intended to be used built-in.
21. Steam cleaner is not to be used.
22. Surface of a storage drawer can get hot.



Warning

The appliance and its accessible parts become hot during use. Care should be taken to avoid touching heating elements. Children less than 8 years of age shall be kept away unless continuously supervised.

23. During use the appliance becomes hot. Care should be taken to avoid touching heating elements inside the oven.



Warning

Accessible parts may become hot during use. Young children should be kept away.

24. The appliance must not be installed behind a decorative door in order to avoid overheating (this is not applicable for appliances with decorative door).



Warning

When the appliance is operated in the combination mode, children should only use the oven under adult supervision due to the temperatures generated.

25. Do not use harsh abrasive cleaners or sharp metal scrapers to clean the oven door glass since they can scratch the surface, which may result in shattering of the glass. Read carefully and keep for future reference.

To Reduce the Risk of Injury to Persons Grounding Installation



Warning

Electric Shock Hazard: Touching some of the internal components can cause serious personal injury or death. Do not disassemble this appliance.

Electric Shock Hazard: Improper use of the grounding can result in electric shock. Do not plug into an outlet until appliance is properly installed and grounded.

This appliance must be grounded. In the event of an electrical short circuit, grounding reduces the risk of electric shock by providing an escape wire for the electric current.

This appliance is equipped with a cord having a grounding wire with a grounding plug. The plug must be plugged into an outlet that is properly installed and grounded.

Consult a qualified electrician or serviceman if the grounding instructions are not completely understood or if doubt exists as to whether the appliance is properly grounded.

If it is necessary to use an extension cord, use only a **3-wire** extension cord.

1. A short power-supply cord is provided to reduce the risks resulting from becoming entangled in or tripping over a longer cord.
2. If a long cord set or extension cord is used:
 - 1) The marked electrical rating of the cord set or extension cord should be at least as great as the electrical rating of the appliance.
 - 2) The extension cord must be a grounding-type **3-wire** cord.
 - 3) The long cord should be arranged so that it will not drape over the counter top or tabletop where it can be pulled on by children or tripped over unintentionally.

Cleaning

Be sure to unplug the appliance from the power supply.

1. Clean the cavity of the oven after using with a slightly damp cloth.
2. Clean the accessories in the usual way in soapy water.
3. The door frame and seal and neighbouring parts must be cleaned carefully with a damp cloth when they are dirty.
4. Do not use harsh abrasive cleaners or sharp metal scrapers to clean the oven door glass since they can scratch the surface, which may result in shattering of the glass.
5. Cleaning Tip-For easier cleaning of the cavity walls that the food cooked can touch: Place half a lemon in a bowl, add **300 ml** (1/2 pint) water and heat on 100 % microwave power for **10 minutes**. Wipe the oven clean using a soft, dry cloth.

Utensils



Warning

Personal Injury Hazard. It is hazardous for anyone other than a competent person to carry out any service or repair operation that involves the removal of a cover which gives protection against exposure to microwave energy.

See the instructions on "Materials you can use in microwave oven or to be avoided in microwave oven."

There may be certain non-metallic utensils that are not safe to use for microwaving. If in doubt, you can test the utensil in question following the procedure below.

Utensil Test:

1. Fill a microwave-safe container with 1 cup of cold water (250 ml) along with the utensil in question.
2. Cook on maximum power for **1 minute**.
3. Carefully feel the utensil. If the empty utensil is warm, do not use it for microwave cooking.
4. Do not exceed **1 minute** cooking time.

Materials you can use in microwave oven

Utensils	Remarks
Aluminum foil	Shielding only. Small smooth pieces can be used to cover thin parts of meat or poultry to prevent overcooking. Arcing can occur if foil is too close to oven walls. The foil should be at least 1 inch (2.5 cm) away from oven walls
Browning dish	Follow manufacturer's instructions. The bottom of browning dish must be at least 3/16 inch (5 mm) above the turntable. Incorrect usage may cause the turntable to break
Dinnerware	Microwave-safe only. Follow manufacturer's instructions. Do not use cracked or chipped dishes
Glass jars	Always remove lid. Use only to heat food until just warm. Most glass jars are not heat resistant and may break
Glassware	Heat-resistant oven glassware only. Make sure there is no metallic trim. Do not use cracked or chipped dishes
Oven cooking bags	Follow manufacturer's instructions. Do not close with metal tie. Make slits to allow steam to escape
Paper plates and cups	Use for short-term cooking / warming only. Do not leave oven unattended while cooking

Utensils	Remarks
Paper towels	Use to cover food for reheating and absorbing fat. Use with supervision for a short-term cooking only
Parchment paper	Use as a cover to prevent splattering or a wrap for steaming
Plastic	Microwave-safe only. Follow the manufacturer's instructions. Should be labeled "Microwave Safe". Some plastic containers soften, as the food inside gets hot. "Boiling bags" and tightly closed plastic bags should be slit, pierced or vented as directed by package
Plastic wrap	Microwave-safe only. Use to cover food during cooking to retain moisture. Do not allow plastic wrap to touch food
Thermometers	Microwave-safe only (meat and candy thermometers)
Wax paper	Use as a cover to prevent splattering and retain moisture

Materials to be avoided in microwave oven

Utensils	Remarks
Aluminum tray	May cause arcing. Transfer food into microwave-safe dish
Food carton with metal handle	May cause arcing. Transfer food into microwave-safe dish
Metal or metal-trimmed utensils	Metal shields the food from microwave energy. Metal trim may cause arcing
Metal twist ties	May cause arcing and could cause a fire in the oven
Paper bags	May cause a fire in the oven
Plastic foam	Plastic foam may melt or contaminate the liquid inside when exposed to high temperature
Wood	Wood will dry out when used in the microwave oven and may split or crack

Setting up your oven

Names of Oven Parts and Accessories

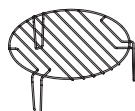
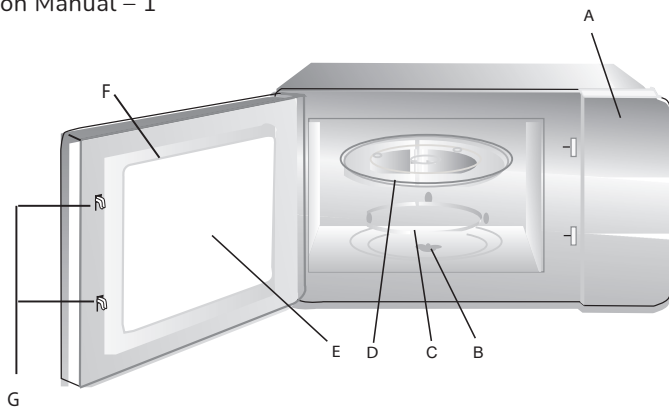
Remove the oven and all materials from the carton and oven cavity.

Your oven comes with the following accessories:

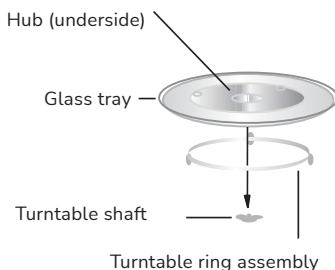
Glass tray – 1

Turntable ring assembly – 1

Instruction Manual – 1



Grill Rack (Can not be used in microwave function and must be placed on the glass tray)



- A – Control panel
- B – Turntable shaft
- C – Turntable ring assembly
- D – Glass tray
- E – Observation window
- F – Door assembly
- G – Safety interlock system

Turntable Installation

1. Never place the glass tray upside down. The glass tray should never be restricted.
2. Both glass tray and turntable ring assembly must always be used during cooking.
3. All food and containers of food are always placed on the glass tray for cooking.
4. If glass tray or turntable ring assembly cracks or breaks, contact your nearest authorized service center.

Installation and connection

1. This appliance is only intended for domestic use.
2. This oven is intended for built-in use only. It is not intended for counter-top use or for use inside a cupboard.
3. Please observe the special installation instructions.
4. The appliance can be installed in a **60 cm** wide wallmounted cupboard.
5. The appliance is fitted with a plug and must only be connected to a properly installed earthed socket.
6. The mains voltage must correspond to the voltage specified on the rating plate.
7. The socket must be installed and connecting cable must only be replaced by a qualified electrician. If the plug is no longer to accessible following installation, an all-pole disconnecting device must be present on the installation side with a contact gap of at least **3 mm**.
8. Adapters, multi-way strips and extension leads must not be used. Overloading can result in a risk of fire.



Warning

The accessible surface may be hot during operation.



Installation Instruction

Electrical connection

The appliance is fitted with a plug and must only be connected to a properly installed earthed socket. Only a qualified electrician who takes the appropriate regulations into account may install the socket or replace the connecting cable.

If the plug is no longer accessible following installation, an all-pole isolating switch must be present on the installation side with a contact gap of at least **3mm**. Contact protection must be ensured by the installation.

Fitted units

The installation cabinet must not have a back panel behind the appliance.

Minimum installation height: **850 mm**.

Ventilation slots and intakes must not be covered.

Installation kit and cabinet dimensions — **Figure 1**

Installing the oven — **Figure 2**



Note

Do not trap or kink the mains lead.

Figure 1

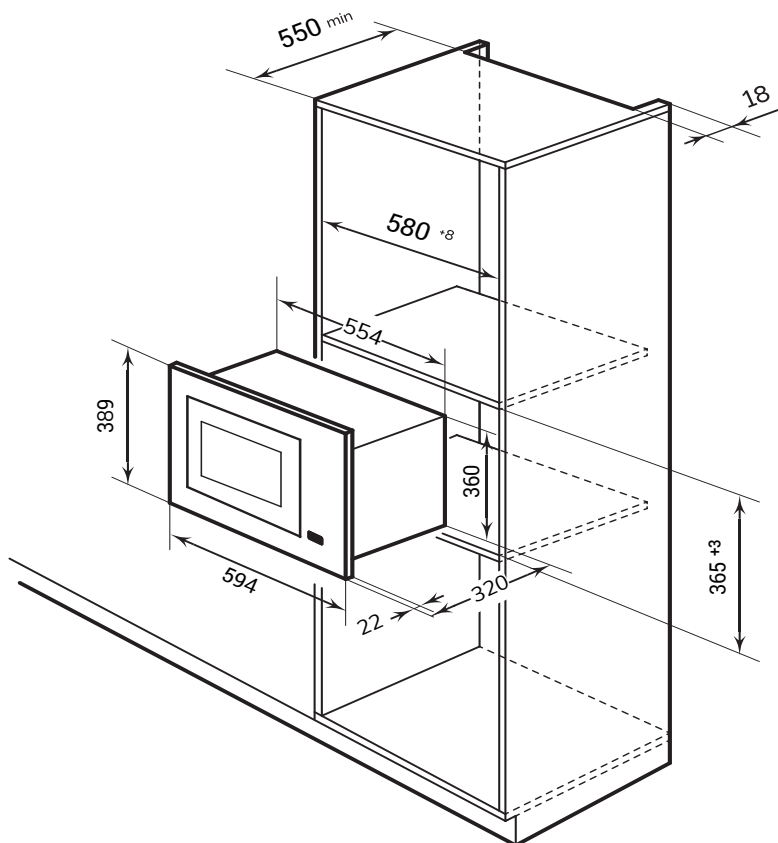
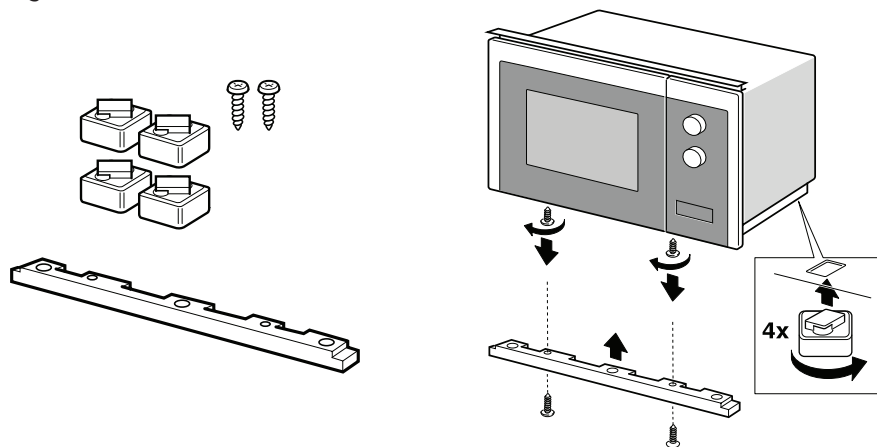
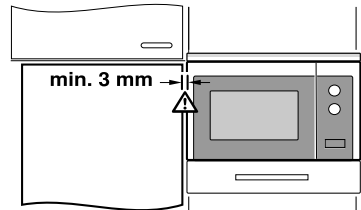
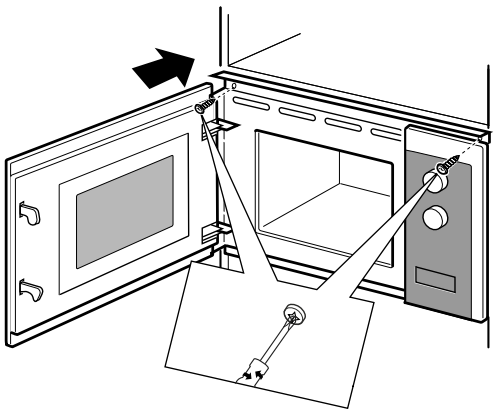
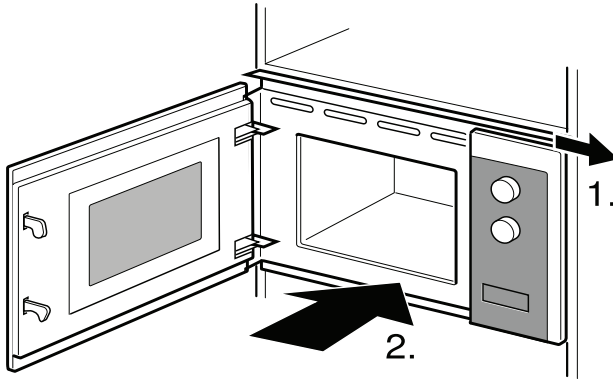
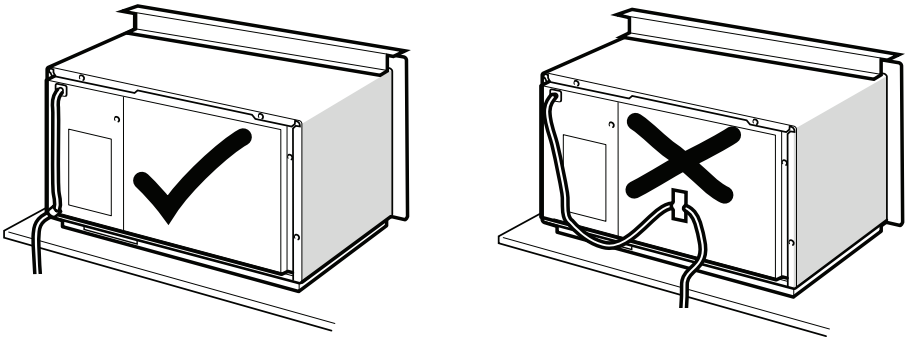


Figure 2



Operation instruction

This microwave oven uses modern electronic control to adjust cooking parameters to meet your needs better for cooking.

Clock Setting

When the microwave oven is electrified, the oven will display "0:00", buzzer will ring once. The oven will enter to waiting state.

1. Press "**Kitchen Timer / Clock**" twice, the hour figures will flash.
2. Turn the knob to adjust the hour figures, the input time should be within **0-23**.
3. Press "**Kitchen Timer / Clock**" to confirm, the minute figures will flash.
4. Turn the knob to adjust the minute figures, the input time should be within **0-59**.
5. Press "**Kitchen Timer / Clock**" to finish clock setting. ":" will flash. The current time will display.



Note

If the clock is not set, it would not function when powered.

Microwave Cooking

1. Press the "**Microwave**" key once, and "**P100**" will display.
2. Press "**Microwave**" repeatedly or turn the knob to select the microwave power. "**P100**", "**P80**", "**P50**", "**P30**", "**P10**" will display in order.
3. Press "**Start / +30 Sec. / Confirm**" to confirm setting.
4. Turn the knob to adjust the cooking time (the maximum cooking time is **95 minutes**).
5. Press "**Start / +30 Sec. / Confirm**" to start cooking.



Note

The step quantities for the adjustment time of the coding switch are as follow

0-1 min	5 seconds
1-5 min	10 seconds
5 -10 min	30 seconds
10-30 min	1 minute
30-95 min	5 minutes

Microwave Power Chart

Microwave Power	High	Medium High	Medium	Medium Low	Low
Display	P100	P80	P50	P30	P10

Grill or Combi. Cooking

1. Press "**Grill / Combi.**" once, the screen will display "**G**", and press "**Grill / Combi.**" repeatedly or turn the knob to choose the power you want, and "**G**", "**C-1**" or "**C-2**" will display.

2. Press "**Start / +30 Sec. / Confirm**" to confirm the power.

3. Turn the knob to set cooking time (the maximum cooking time is **95 minutes**).

4. Press "**Start / +30 Sec. / Confirm**" again to start cooking.

Example: If you want to use **55 %** microwave power and **45 %** grill power (C-1) to cook for **10 minutes**, you can operate the oven as the following steps.

1. Press "**Grill / Combi.**" once, the screen displays "**G**".

2. Continue to press "**Grill / Combi.**" until the screen displays "**C-1**".

3. Press "**Start / +30 Sec. / Confirm**" to confirm.

4. Turn the knob to adjust the cooking time until the oven displays "**10:00**".

5. Press "**Start / +30 Sec. / Confirm**" to start cooking.

Combination Power instructions

Program	Display	Power	Power
Grill	G	0 %	100 %
Combi. 1	C-1	55 %	45 %
Combi. 2	C-2	36 %	64 %

Note

If half the grill time passes, the oven sounds twice, and this is normal. In order to have a better effect of grilling food, you should turn the food over, close the door, and then press "Start / +30 Sec. / Confirm" to continue cooking.

If no operation, the oven will continue working.

Defrost By Weight

1. Press "**Weight Defrost**" once, the screen will display "**dEF1**".

2. Turn the knob to select the food weight. The range of weight is **100-2000 g**.

3. Press "**Start / +30 Sec. / Confirm**" key to start defrosting.

Note

If half the defrost time passes, the oven sounds twice, and this is normal. In order to have a better effect of defrosting, you should turn the food over, close the door, and then press "Start / +30 Sec. / Confirm" to continue cooking. If no operation, the oven will continue working.

Defrost By Time

1. Press **"Time Defrost"** once, the screen will display **"dEF2"**.
2. Turn the knob to select the cooking time. The maximum time is **95 minutes**.
3. Press **"Start / +30 Sec. / Confirm"** key to start defrosting.



Note

If half the defrost time passes, the oven sounds twice, and this is normal. In order to have a better effect of defrosting, you should turn the food over, close the door, and then press **"Start / +30 Sec. / Confirm"** to continue cooking. If no operation, the oven will continue working.

Multi-Stage Cooking

2 stages can be maximumly set. If one stages is defrosting, it should be put in the first stage automatically. The buzzer will ring once after each stage and the next stage will begin.



Note

Auto menu and speedy cooking cannot be set as one of the multi-stage.

Example: if you want to defrost the food for **5 minutes**, then to cook with 80 % microwave power for **7 minutes**.

The steps are as following:

1. Press **"Time Defrost"** once, the screen will display **"dEF2"**.
2. Turn the knob to adjust the defrost time of **5 minutes**.
3. Press **"Microwave"** once, the screen will display **"P100"**.
4. Press **"Microwave"** repeatedly to choose microwave power till **"P80"** displays.
5. Press **"Start / +30 Sec. / Confirm"** to confirm.
6. Turn the knob to adjust the cooking time of **7 minutes**.
7. Press **"Start / +30 Sec. / Confirm"** to start cooking.

Kitchen Timer

1. Press **"Kitchen Timer / Clock"** once, the screen will display **"00:00"**.
2. Turn the knob to enter the correct timer (the maximum cooking time is **95 minutes**).
3. Press **"Start / +30 Sec. / Confirm"** to confirm setting.

4. When the kitchen time is reached, the buzzer will ring **5 times**.

If the clock has been set (24-hour system), the screen will display the current time.

Auto Menu

1. In waiting state, turn the knob right to choose the menu.
2. Press "**Start / +30 Sec. / Confirm**" to confirm the menu you choose.
3. Turn the knob to choose the the weight of food.
4. Press "**Start / +30 Sec. / Confirm**" to start cooking.



Note

The kitchen Time is different from 24-hour system. Kitchen Timer is a timer.

The menu chart

Menu	Weight	Power
Pizza	200 g	100 % Mic.
	400 g	
Meat	250 g	100 % Mic.
	350 g	
	450 g	
Vegetable	200 g	100 % Mic.
	300 g	
	400 g	
Pasta	50 g (with 450 g cold water)	80 % Mic.
	100 g (with 800 g cold water)	
Potato	200 g	100 % Mic.
	400 g	
	600 g	
Fish	250 g	80 % Mic.
	350 g	
	450 g	
Beverage	1 cup (about 120 ml)	100 % Mic.
	2 cups (about 240 ml)	
	3 cups (about 360 ml)	
Popcorn	50 g	100 % Mic.
	100 g	

Speedy Cooking

1. In waiting state, press **"Start / +30 Sec. / Confirm"** key to cook with 100 % power level for **30 seconds**. Each press on the same key can increase **30 seconds**. The maximum cooking time is **95 minutes**.

2. During the microwave, grill, combination cooking and the defrost by time process, press **"Start / +30 Sec. / Confirm"** to increase the cooking time.

3. Under the states of auto menu and defrost by weight, cooking time cannot be increased by pressing **"Start / +30 Sec. / Confirm"**.

4. In waiting state, turn the knob left to choose the cooking time. After adjusting the cooking time, press **"Start / +30 Sec. / Confirm"** to start microwave cooking with 100 % power lever.

Lock Function for Children

Lock: In waiting state, press **"STOP / Clear"** for **3 seconds** to enter the children-lock state and the current time will display if the time has been set, otherwise, the screen will display **【 : : 】**.

Lock quitting: In locked state, press **"STOP / Clear"** for **3 seconds**, the lock is released.

Inquiring Function

1. In cooking states of microwave or grill and combination. Press **"Microwave"** or **"Grill / Combi."**, the current power will be displayed for **3 seconds**.

2. If the clock has been set, during cooking state, press **"Kitchen Timer / Clock"** to check the current time. It will be displayed for **3 seconds**.

Specification

1. If the door is opened in the process of cooking, close the door and then press **"Start / +30 Sec. / Confirm"** to continue cooking.

2. Once the cooking programme has been set, **"Start / +30 Sec. / Confirm"** is not pressed in **1 minutes**. The current time will be displayed. The setting will be cancelled.

3. The buzzer sounds once by efficient press, inefficient press will be no response.

Trouble shooting

Normal	
Microwave oven interfering TV reception	Radio and TV reception may be interfered when microwave oven operating. It is similar to the interference of small electrical appliances, like mixer, vacuum cleaner, and electric fan. It is normal
Dim oven light	In low power microwave cooking, oven light may become dim. It is normal
Steam accumulating on door, hot air out of vents	In cooking, steam may come out of food. Most will get out from vents. But some may accumulate on cool place like oven door. It is normal
Oven started accidentally with no food in	It is forbidden to run the unit without any food inside. It is very dangerous

Trouble	Possible Cause	Remedy
Oven cannot be started	(1) Power cord is not plugged in tightly	Unplug. Then plug again after 10 seconds
	(2) Fuse blowing or circuit breaker works	Replace fuse or reset circuit breaker (repaired by professional personnel of our company)
	(3) Trouble with outlet	Test outlet with other electrical appliances
Oven does not heat	(4) Door is not closed well	Close door well



According to Waste of Electrical and Electronic Equipment (WEEE) directive, WEEE should be separately collected and treated. If at any time in future you need to dispose of this product please do NOT dispose of this product with household waste. Please send this product to WEEE collecting points where available.

Введение	22
Информация по технике безопасности	23
Обзор микроволновой печи.....	30
Установка и подключение	32
Панель управления.....	35
Настройка часов.....	36
Приготовление с использованием режимов.....	37
Материалы, которые можно использовать	42
Материалы, которые не следует использовать	43
Проведение очистки микроволновой печи	44
Советы по устранению неисправностей.....	45
Информация по гарантии	46
Обслуживание и запасные детали	48
Программа сервисного обслуживания ELEXIR	49
Правила утилизации.....	50

Уважаемый покупатель!

Благодарим Вас за приобретение продукции **MILLEN**. Мы надеемся, что микроволновая печь оправдает Ваши ожидания и станет прекрасным помощником на Вашей кухне. Для правильной и безопасной эксплуатации изделия, пожалуйста, ознакомьтесь со всеми пунктами данного руководства по эксплуатации. Просим Вас сохранять его на весь срок службы данной микроволновой печи. В начале приведен раздел с некоторыми важными условиями безопасной работы. В руководстве приведены полезные советы по уходу и чистке изделия.

Данное изделие сертифицировано в соответствии с действующим техническим регламентом.

Гарантия – 3 года. Подробная информация указана в гарантийном талоне внутри упаковки.

Срок эксплуатации – 10 лет.

Уважаемый покупатель, при возникновении любых вопросов, связанных с покупкой, эксплуатацией и обслуживанием техники **MILLEN**, Вы можете проконсультироваться по телефону с сервисной службой **8800-77-55-44-7**.



Внимание

Перед использованием микроволновой печи просим Вас внимательно ознакомиться с руководством по эксплуатации и сохранить его для дальнейшего использования

В случае утери данного руководства по эксплуатации получить новое можно на официальном сайте.

Производитель оставляет за собой право вносить изменения в конструкцию изделия без предварительного уведомления с целью улучшения его характеристик. Наша бытовая техника постоянно совершенствуется, улучшаются характеристики, обновляется дизайн, поэтому рисунки и обозначения, приведенные в данном руководстве, могут несколько отличаться от приобретенной Вами модели.

При покупке снимите упаковку и убедитесь, что изделие не повреждено, полностью укомплектовано и торговой организацией правильно заполнен гарантийный талон. Убедитесь, что параметры электрической сети соответствуют параметрам микроволновой печи, указанным на технической наклейке. В случае выявления несоответствия необходимо провести доработку электрической сети и монтаж розетки. Электромонтажные работы должен выполнить специалист, имеющий право на проведение данных работ.

Сохраните руководство, оно поможет разрешить возникшие вопросы. Изготовитель (продавец) не несет ответственности (в том числе и в гарантийный период):

- За дефекты и повреждения изделия, возникшие вследствие нарушения указаний по его хранению, установке, подключению, условий эксплуатации либо действия непреодолимой силы (пожара, наводнения и т. п.), воздействия домашних животных, насекомых, грызунов.
- За последствия, вызванные неквалифицированным ремонтом.

Перед монтажом

Распакуйте и осмотрите микроволновую печь. В случае обнаружения повреждений, связанных с транспортировкой, не подключайте ее.



Внимание

Во избежание поломки перед включением техники в холодное время года необходимо выдержать микроволновую печь в распакованном виде при комнатной температуре не менее 4 часов.

Информация по технике безопасности

Микроволновая печь предназначена для использования в качестве встроенной.

Запрещается устанавливать микроволновую печь за декоративную дверцу во избежание перегрева.

Запрещена эксплуатация микроволновой печи с открытой дверцей – это может привести к вредному воздействию энергии микроволн.

Важно не сломать и не повредить предохранительные блокировки дверцы.

Если дверца или уплотнители дверцы повреждены, микроволновую печь нельзя использовать до тех пор, пока она не будет отремонтирована квалифицированным специалистом.

Снятие корпуса микроволновой печи, защищающего от воздействия энергии электромагнитных СВЧ-волн, очень опасно.

Любые работы по обслуживанию или ремонту печи, связанные со снятием корпуса, могут выполнять только квалифицированные специалисты.

Всегда следите за чистотой рабочей камеры, дверцы и ограничителя открывания дверцы.

Через повреждённую дверцу рабочей камеры может выходить энергия микроволн. Не используйте прибор, если повреждена дверца. Вызовите специалиста сервисной службы.

У приборов без защитного корпуса энергия микроволн может выходить наружу. Никогда не снимайте защитный корпус. Для осуществления профилактики и ремонта вызывайте сервисных специалистов.

Жидкости и другие продукты нельзя разогревать в герметично закрытых контейнерах, так как они могут взорваться.

Не помещайте никакие предметы между передней панелью печи и дверцей, не допускайте накопления грязи или остатков чистящего средства на уплотнительных поверхностях.

Люди с ограниченными физическими, сенсорными или умственными способностями, дети, а также лица, не имеющие достаточного опыта или знаний, не должны пользоваться данным устройством, если их действия не контролируются или если они предварительно не проинструктированы о правилах использования лицом, отвечающим за их безопасность.

Микроволновая печь может использоваться детьми старше 8 лет и лицами с ограниченными физическими, сенсорными или умственными способностями и с недостаточным опытом или знаниями только в том случае, если они находятся под присмотром лица, отвечающего за их безопасность, или получили соответствующие инструкции, позволяющие им безопасно эксплуатировать электроприбор и дающие им представление об опасности, сопряженной с его эксплуатацией.

Детям не следует играть с устройством. Следите за тем, чтобы дети не играли с устройством.

Очистка и обслуживание устройства могут выполняться детьми только под присмотром.

Эта микроволновая печь предназначена для использования в домашних условиях, а также:

- Кухонных помещениях для персонала в магазинах, офисах и других рабочих помещениях.
- Клиентами в отелях, мотелях и других жилых помещениях.
- В фермерских домах.
- В учреждениях с полупансионом.

Используйте только посуду, подходящую для приготовления в микроволновой печи (см. раздел «**Материалы, которые можно использовать в микроволновой печи**»).

При разогреве пищи в бумажном или пластиковом контейнере следите за процессом, возможно воспламенение.

Использование металлических контейнеров в микроволновых печах недопустимо.

Микроволновая печь предназначена для разогревания пищи и напитков. Сушка пищевых продуктов, предметов обуви или одежды, крупяных или зерновых подушечек, а также подогрев грелок, домашних тапок, губок, влажных тканей и др. может привести к травме, возгоранию или пожару.

При появлении (обнаружении) дыма выключите микроволновую печь или отключите ее от источника питания и оставьте дверцу закрытой, чтобы сдержать пламя.

Нагревание в микроволновой печи емкостей с жидкостями может привести к их замедленному бурному кипению, поэтому будьте внимательны и соблюдайте меры предосторожности.

При нагревании жидкости возможна задержка закипания. В этом случае температура закипания достигается без образования в жидкости характерных пузырьков. Даже при незначительном сотрясении ёмкости горячая жидкость может внезапно начать сильно кипеть и брызгать. При нагревании всегда кладите в ёмкость ложку. Это поможет избежать задержки закипания.

Содержимое бутылочек и баночек с детским питанием следует перемешать или встряхнуть и проверить температуру перед употреблением во избежание ожогов.

Яйца в скорлупе и яйца, сваренные вкрутую, нельзя разогревать в микроволновых печах, они могут взорваться даже после завершения разогревания в микроволновой печи.

Микроволновую печь следует регулярно чистить, любые загрязнения должны быть удалены.

Загрязнения могут привести к повреждению поверхности, что может отрицательно сказаться на сроке службы микроволновой печи и привести к опасной ситуации.

Не допускается очистка электроприбора при помощи струи воды или с использованием пароочистителя.

В случае повреждения кабеля питания его замену должен выполнять производитель, сотрудник сервисной службы или другой квалифицированный специалист во избежание опасных ситуаций.

Чтобы обеспечить удобный доступ к внутренней камере печи и области управления, печь необходимо установить в правильном положении на подходящей высоте.

Перед первым использованием печи поместите в нее емкость с водой и нагревайте в течение **10 минут**.

Если при работе печи появляются странный звук, дым и запах гари, немедленно отсоедините кабель питания и обратитесь в ближайший сервисный центр.

Печь следует установить таким образом, чтобы имелся свободный доступ к вилке кабеля питания.

Используйте микроволновую печь только в закрытом помещении.

Данная микроволновая печь предназначена для использования на высоте не более **4000 м** над уровнем моря.

Всегда правильно устанавливайте принадлежности в рабочей камере.



Внимание

Во избежание опасности из-за утечки микроволнового излучения все ремонтные работы, связанные со снятием любых крышек, должны выполнять только квалифицированные специалисты.

Когда микроволновая печь работает в комбинированном режиме, из-за высоких температур дети должны использовать ее только под присмотром взрослых.

Во время использования устройство нагревается. Будьте осторожны, избегайте контакта с нагревательными элементами внутри микроволновой печи.



Предупреждение

Внешние части могут сильно нагреваться при использовании.

Во избежание поражения электрическим током перед обслуживанием и очисткой обязательно отключите микроволновую печь от сети.

Внутренние детали могут сильно нагреваться при использовании.

Несоблюдение мер безопасности может привести к повреждению здоровья или имущества из-за возгорания, удара током, травмирования или взрыва!

Не оставляйте детей без присмотра рядом с устройством.

Не допускается использовать паровые очистители. Не используйте абразивные очистители, химически активные вещества и острые металлические скребки для чистки стеклянной дверцы печи, так как это может стать причиной царапин и трещин на стекле.

Будьте осторожны, избегайте контакта с нагревательными элементами.

Не оставляйте детей до 8 лет без постоянного присмотра рядом с микроволновой печью.

При работе микроволновой печи дверца или наружная поверхность может сильно нагреваться.

Для микроволновой печи не предусмотрено управление с помощью внешнего таймера или пульта дистанционного управления.

Не допускайте детей младше 8 лет к микроволновой печи и ее сетевому проводу.

Сложенные в рабочей камере легковоспламеняющиеся предметы могут загореться.

Не храните в рабочей камере легковоспламеняющиеся предметы.

Не открывайте дверцу микроволновой печи, если внутри образовался дым. Выключите микроволновую печь, выньте вилку сетевого провода из розетки или отключите предохранитель в блоке предохранителей.

Принадлежности или посуда могут быть очень горячими. Чтобы извлечь их из рабочей камеры, всегда используйте прихватки.

Использование микроволновой печи не по назначению опасно и может привести к поломке.

Используйте микроволновую печь только для приготовления блюд и напитков.

Продукты могут воспламениться.

Никогда не разогревайте продукты питания в термостатической упаковке.

Разогревать продукты в контейнерах из пластмассы, бумаги или других воспламеняющихся материалов можно только под наблюдением.

Всегда следуйте указаниям, приведённым в данном руководстве по эксплуатации.

Не сушите продукты в микроволновом режиме. Не размораживайте и не готовьте продукты с низким содержанием воды, например хлеб, при высокой мощности микроволн или слишком долгое время.

Масло при приготовлении пищи может загореться. Никогда не разогревайте растительное масло в микроволновом режиме.

При неквалифицированном ремонте микроволновая печь может стать источником опасности.

Любые ремонтные работы и замена проводов и труб должны выполняться только специалистами сервисной службы, прошедшими специальное обучение.

Если микроволновая печь неисправна, она может стать причиной травмы или поражения электрическим током, выньте вилку сетевого провода из розетки или отключите предохранитель в блоке предохранителей. Вызовите специалиста сервисной службы.

Следите за тем, чтобы кабель не соприкасался с горячими частями электроприборов.

Проникающая влага может привести к удару электрическим током. Не используйте очиститель высокого давления или пароструйные очистители.

Проникшая в микроволновую печь влага может стать причиной удара током.

Не пользуйтесь микроволновой печью при слишком высокой температуре или влажности.

Микроволновая печь работает под высоким напряжением. Никогда не вскрывайте ее корпус самостоятельно.

Поцарапанное стекло дверцы прибора может треснуть. Не используйте скребки для стекла, а также едкие и абразивные чистящие средства для очистки стекла. Неподходящая посуда может лопнуть.

В ручках и крышках фарфоровой и керамической посуды могут быть мелкие дырочки, за которыми находятся пустоты. При проникании в эти пустоты влаги посуда может треснуть. Используйте специальную посуду для микроволновых печей.

Использование металлической посуды или ёмкостей, а также посуды с металлической фурнитурой в режиме микроволн может вызвать образование искр. Это может привести к повреждению микроволновой печи. Запрещается использовать металлические ёмкости в режиме микроволн.

Стеклопластиковая вращающаяся подставка может разбиться. Не допускайте резкого контакта между твердыми предметами и вращающейся подставкой.

Трещины и сколы на стеклянной вращающейся подставке могут представлять опасность. Обращайтесь с вращающейся подставкой с осторожностью.

Меры безопасности при разогревании некоторых видов продуктов

Продукты с твёрдой кожей или шкуркой могут взорваться в процессе нагревания и после него.

Нельзя варить яйца в скорлупе и разогревать варёные яйца. Никогда не варите моллюсков и ракообразных. При приготовлении яичницы-глазуньи нужно наколоть желток.

У продуктов питания с жёсткой кожей или шкуркой, например яблок, томатов, картофеля, сосисок, кожа может лопнуть. Наколите кожуру или шкуру перед приготовлением.

Детское питание прогревается неравномерно. Не разогревайте детское питание в закрытой посуде. Всегда снимайте крышку или соску. После нагрева тщательно перемешайте или взболтайте содержимое; перед тем как кормить ребенка, обязательно проверьте температуру.

Разогретые блюда отдают тепло. Посуда может сильно нагреваться. Чтобы извлечь посуду и принадлежности из рабочей камеры, всегда используйте прихватки.

Герметично запаянная упаковка при нагревании может лопнуть. Всегда соблюдайте указания на упаковке.

Никогда не разогревайте жидкости или другие продукты питания в плотно закрытой посуде.

Недостаточная очистка может привести к повреждению поверхности. Возможен выход энергии микроволн наружу. Очищайте прибор своевременно и сразу же удаляйте из него остатки продуктов.

Система защиты от короткого замыкания

Неправильное использование заземления может привести к поражению электрическим током. Не подключайте вилку к розетке, пока микроволновая печь не будет правильно установлена и заземлена.



Предупреждение

Опасность поражения электрическим током: некоторые из внутренних компонентов могут привести к серьезным травмам или смерти. Не разбирайте микроволновую печь самостоятельно.

Микроволновая печь должна быть заземлена. В случае короткого замыкания заземление снижает риск поражения электрическим током, обеспечивая отвод тока через провод заземления. Микроволновая печь оснащена сетевым шнуром с проводом заземления и вилкой. Вилку необходимо вставлять в правильно установленную и заземленную розетку.

Если возникли вопросы по заземлению и подключению к электрической сети, необходимо проконсультироваться с квалифицированным электриком или специалистом сервисной службы.

Производитель не несет ответственности за ущерб или травмы, нанесенные в результате подключения микроволновой печи к источнику питания без защитного отключения или с неисправным защитным отключением.

В данном устройстве предусмотрен короткий сетевой шнур, чтобы не запутаться и не зацепиться за него.

Прежде чем приступить к эксплуатации, внимательно прочтите разделы, посвященные монтажу и эксплуатации! В них содержится важная информация по установке, использованию и техническому обслуживанию. Сохраните всю документацию для дальнейшего использования или для передачи ее следующему владельцу.

Обзор микроволновой печи

Изображения устройства приведены для справки, разные модели могут отличаться.

A – Панель управления

B – Вал поворотного стола

C – Кольцо поворотного стола в сборе

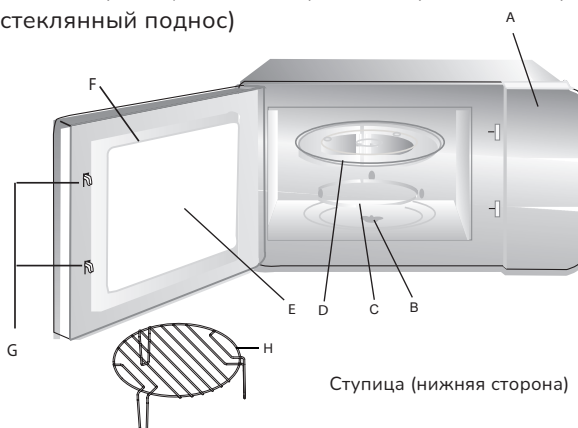
D – Стекланный поднос

E – Стекло дверцы

F – Дверца

G – Система блокировки дверцы

H – Решетка для гриля (не используйте ее в режиме микроволн и всегда ставьте на стекланный поднос)



Комплектация

- Стекланный поднос
- Кольцо поворотного стола в сборе
- Решетка
- Руководство по эксплуатации



Установка поворотного механизма

1. Никогда не ставьте стекланный поднос вверх дном и не ограничивайте движение подноса.
2. Во время приготовления всегда должны использоваться как стекланный поднос, так и вращающееся кольцо в сборе.
3. Все продукты и контейнеры с едой всегда ставятся на стекланный поднос для приготовления пищи.
4. Если стекланный поднос или кольцо поворотного стола треснули или сломались, обратитесь в сервисный центр.

Технические характеристики

Модель	MBW 381 BL/IX
Тип установки	Встраивание
Отделка	Стекло
Цвет	Черный, нержавеющая сталь
Управление	Сенсорное, ручки
Объём	20 л
Мощность микроволн	800 Вт
Мощность гриля	1000 Вт
Количество уровней мощности	5
Автоматические программы	8
Особенности	Блокировка управления, дисплей, звуковые сигналы, таймер
Диаметр тарелки	255 мм
Комплектация	Вращающаяся платформа, решётка для гриля, стеклянный поднос
Размер устройства (ВхШхГ)	390x595x334 мм
Размер для встраивания (ВхШхГ)	365–368 x 580–588 x 568 мм
Размер рамки (ВхШхГ)	390x595x20 мм
Страна-производитель	КНР
Длина сетевого кабеля	1,3 м, стандарт BS
Размер упаковки	446x654x387 мм
Вес в упаковке / без упаковки	18,6 кг / 17,8 кг

Установка и подключение

До монтажа и включения микроволновой печи в электрическую сеть ознакомьтесь с мерами безопасности, приведёнными в разделе «Информация по технике безопасности» настоящего руководства по эксплуатации.

Убедитесь в том, что упаковка и микроволновая печь не были повреждены при транспортировке. При обнаружении повреждений эксплуатация не допускается.

После хранения микроволновой печи при низких температурах или после транспортирования в зимних условиях включать ее можно не раньше чем через **4 ч** пребывания при комнатной температуре в распакованном виде.

Не рекомендуется устанавливать микроволновую печь вблизи телевизора, радиоприемника, антенны во избежание помех теле- и радиоприему.

Перед началом эксплуатации внутреннюю поверхность микроволновой печи и дверцу следует протереть влажной салфеткой.



Внимание

1. Данная микроволновая печь предназначена только для встроенного использования.
2. Пожалуйста, соблюдайте специальные инструкции по установке.
3. Микроволновую печь можно установить в настенный шкаф шириной 60 см.
4. Микроволновая печь снабжена вилкой и должна быть подключена к правильно установленной заземленной розетке.
5. Напряжение сети должно соответствовать значению, которое указано на паспортной табличке.
6. Адаптеры, многополосные ленты и удлинители не должны использоваться. Перегрузка может привести к пожару.

Инструкция по монтажу

Минимальная высота установки: **850 мм**.

Вентиляционные отверстия и воздухозаборники не должны быть закрыты. За задней панелью микроволновой печи должна отсутствовать кухонная панель (см. изображения).

Сборка и размеры ниши – **Рисунок 1**

Установка микроволновой печи – **Рисунок 2**

Примечание

Для всех размеров допустимы только плюсовые отклонения.

Размеры указаны в мм.

Микроволновая печь разработана и изготовлена только для бытового применения. Прибор должен быть надлежащим образом установлен, размещен и эксплуатироваться в соответствии с инструкциями, содержащимися в настоящем руководстве по эксплуатации.

Размеры, приведённые в таблице и на рисунках, являются конструктивными. В силу разных причин возможно небольшое отклонение фактических размеров от конструктивных. Данные приведены только для справки.

Рисунок 1

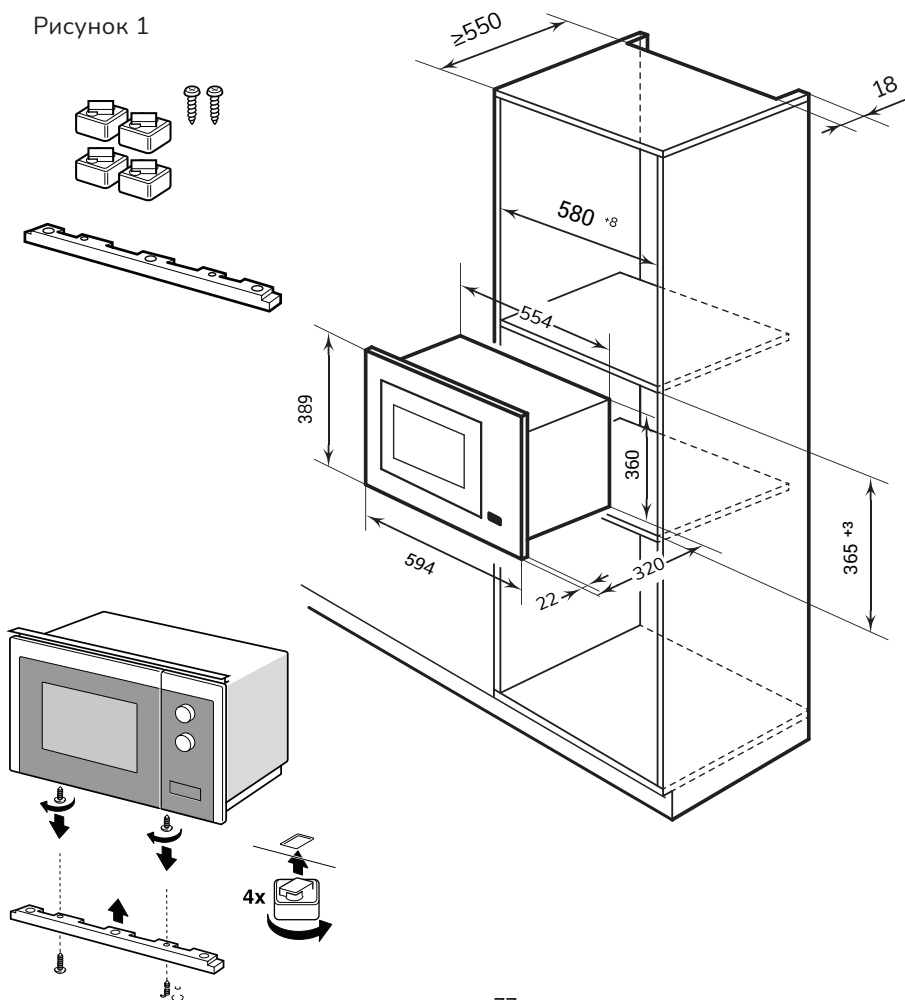
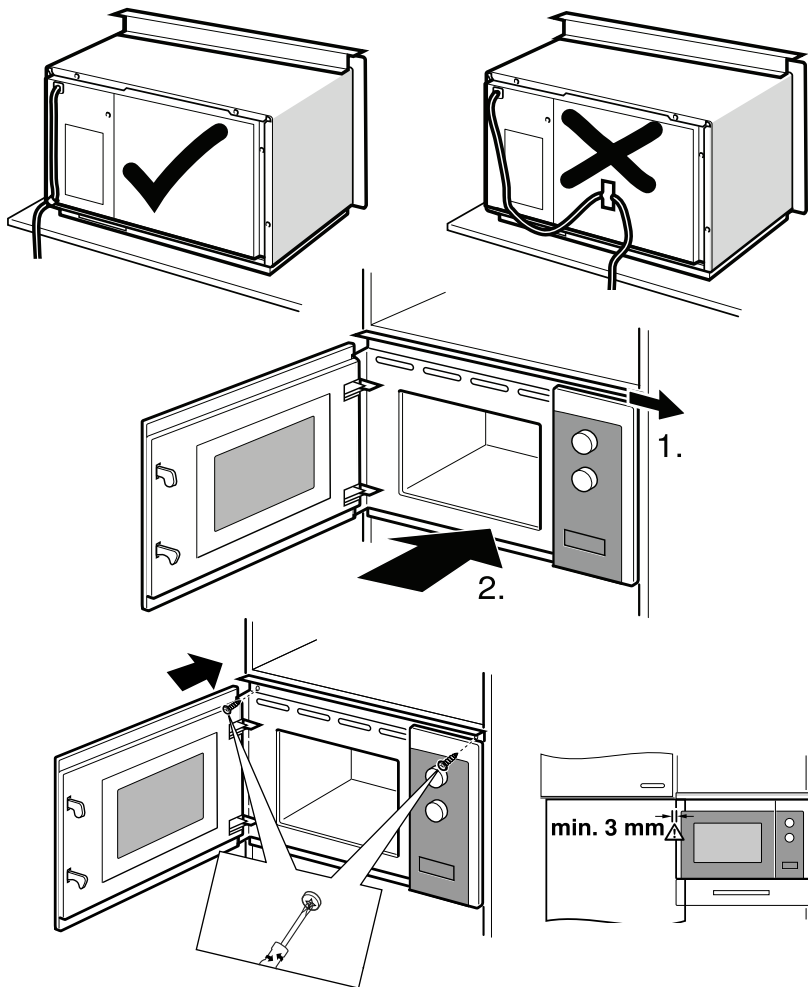


Рисунок 2



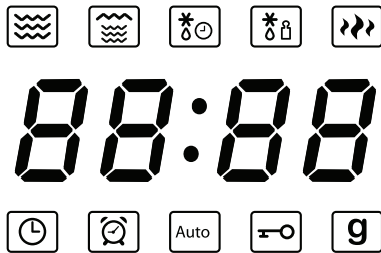
Электрическое подключение

Микроволновая печь снабжена вилкой и должна подключаться только к правильно установленной заземленной розетке. Только квалифицированный электрик, который принимает во внимание соответствующие правила, может установить розетку или заменить соединительный кабель.

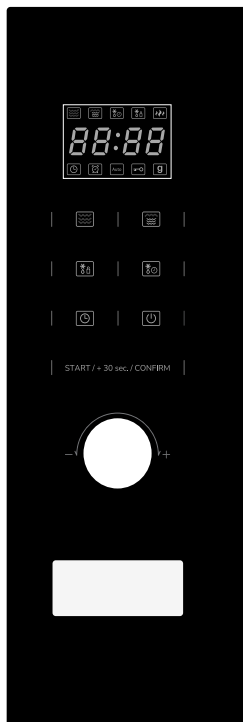
Если вилка будет недоступна пользователю после установки, должен быть установлен многополюсный выключатель с зазором не менее **3 мм**.

Панель управления

В вашей микроволновой печи MILLEN используется современное электронное управление для регулировки параметров приготовления, чтобы лучше удовлетворить Ваши потребности в приготовлении пищи.



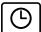


-  Микроволны
-  Гриль
-  Разморозка по времени
-  Разморозка по весу
-  Мощность
-  Таймер
-  Часы
-  Автоменю
-  Блокировка
-  Вес / грамм
-  **Внимание**



Запрещается запускать программы приготовления при пустой рабочей камере микроволновой печи!

Настройка часов

После подключения микроволновой печи к сети на дисплее появятся символы «0:00», раздастся звуковой сигнал. Микроволновая печь перейдет в режим ожидания.



1. Дважды нажмите  будут мигать цифры часов.
2. Поверните ручку, чтобы отрегулировать число часов (время должно быть в пределах **0-23**).
3. Нажмите , чтобы подтвердить установленные часы, минуты будут мигать.
4. Поверните ручку, чтобы отрегулировать число минут (время должно быть в пределах **0-59**)
5. Нажмите , чтобы завершить настройку часов. «:» будет мигать, на дисплее будет отображаться текущее время.



Примечание

Формат времени – 24-часовой. После включения питания, если время не установлено, часы будут показывать «0:00».

Приготовление с использованием микроволн

1. Нажмите  один раз, на дисплее будет показано **P100**.
2. Нажмите  несколько раз или поверните ручку, чтобы выбрать режим «P100», «P80», «P50», «P30», «P10». Значения будут отображаться на дисплее.
3. Нажмите «**START / +30 Sec / CONFIRM**», чтобы подтвердить настройки.
4. Поверните ручку, чтобы выбрать длительность приготовления (максимальная длительность составляет **95 минут**).
5. Нажмите «**START / +30 Sec. / CONFIRM**», чтобы начать приготовление.





Примечание

Во время вращения ручки на дисплее значения времени меняются с шагом:



0-1 мин	5 сек
1-5 мин	10 сек
5 -10 мин	30 сек
10-30 мин	1 мин
30-95 мин	5 мин

Мощность микроволн	Высокая	Повышенная	Средняя	Пониженная	Минимальная
Дисплей	P100	P80	P50	P30	P10

Приготовление с использованием режима  (гриль/комби)


1. Нажмите  один раз, на дисплее будет показано **G**.
2. Нажмите  несколько раз или поверните ручку, чтобы выбрать режим «**G**», «**C-1**», «**C-2**». Значения будут отображаться на дисплее
3. Нажмите «**START / +30 Sec. / CONFIRM**», чтобы подтвердить настройки.
4. Поверните ручку, чтобы выбрать длительность приготовления (максимальная длительность составляет **95 минут**).
5. Нажмите «**START / +30 Sec. / CONFIRM**», чтобы начать приготовление.

Например: если Вы хотите использовать мощность микроволн на **55 %** и мощность гриля на **45 % (C-1)** для приготовления в течение 10 минут, повторите действия, как описано ниже:


1. Нажмите  один раз, на дисплее будет показано **G**.
2. Нажмите  несколько раз, чтобы выбрать режим «**C-1**».
3. Нажмите «**START / +30 Sec. / CONFIRM**», чтобы подтвердить настройки.
4. Поверните ручку, чтобы выбрать длительность приготовления **10:00** (десять минут).
5. Нажмите «**START / +30 Sec. / CONFIRM**», чтобы начать приготовление.

Программа	Дисплей	Мощность микроволн	Мощность гриля
Гриль	G	0 %	100 %
Комби 1	C-1	55 %	45 %
Комби 2	C-2	36 %	64 %

 **Примечание**


По истечении половины времени работы микроволновой печи в режиме  раздается двойной звуковой сигнал. Для получения лучшего эффекта от приготовления пищи на гриле Вы можете перевернуть пищу, затем закройте дверцу и нажмите «**START / +30 Sec. / CONFIRM**», чтобы продолжить приготовление. Это действие не является обязательным.

Размораживание по заданному весу

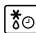
1. Нажмите  один раз, на дисплее будет показано «dEF1».
2. Поверните ручку, чтобы выбрать вес продукта. Значения будут отображаться на дисплее в диапазоне **100-2000 гр.**
3. Нажмите «START / +30 Sec. / CONFIRM», чтобы подтвердить настройки.



Примечание

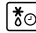
По истечении половины времени работы микроволновой печи в режиме  раздается двойной звуковой сигнал. Для получения лучшего эффекта размораживания Вы можете перевернуть пищу, затем закройте дверцу и нажмите «START / +30 Sec. / CONFIRM», чтобы продолжить приготовление. Это действие не является обязательным.

Размораживание по заданному времени

1. Нажмите  один раз, на дисплее будет показано «dEF2».
2. Поверните ручку, чтобы выбрать длительность разморозки. Максимальное время **95 минут.**
3. Нажмите «START / +30 Sec. / CONFIRM», чтобы подтвердить настройки.



Примечание

По истечении половины времени работы микроволновой печи в режиме  раздается двойной звуковой сигнал. Для получения лучшего эффекта размораживания Вы можете перевернуть пищу, затем закройте дверцу и нажмите «START / +30 Sec. / CONFIRM», чтобы продолжить приготовление. Это действие не является обязательным.

Многоэтапное приготовление


Максимально можно установить **2 этапа**. Если один из этапов – размораживание, он должен быть автоматически воспроизведен в первую очередь. Сигнал прозвучит один раз после каждого этапа, и начнется следующий этап.




Примечание

Автоматическое меню и быстрое приготовление не могут быть установлены в качестве одного из шагов многоэтапных режимов.

Например: если Вы хотите разморозить продукт в течение **5 минут**, после готовить с **80 %** мощности микроволн на **7 минут**. Выполните следующие действия.

1. Нажмите  один раз, на дисплее будет показано **«dEF2»**.
2. Поверните ручку, чтобы выбрать длительность разморозки **5 минут**.
3. Нажмите  один раз, на дисплее будет показано **P100**.
4. Нажмите  несколько раз или поверните ручку, чтобы выбрать режим **«P80»**.
5. Нажмите **«START / +30 Sec. / CONFIRM»**, чтобы подтвердить настройки.
6. Поверните ручку, чтобы выбрать длительность приготовления **7 минут**.
7. Нажмите **«START / +30 Sec. / CONFIRM»**, чтобы начать приготовление.

Установка таймера

1. Нажмите , на дисплее будет мигать **«00:00»**.
2. Поверните ручку, чтобы установить длительность таймера (время должно быть в пределах **0-95 минут**).
3. Нажмите **«START / +30 Sec. / CONFIRM»**, чтобы подтвердить настройки.
4. По окончании работы таймера раздастся 5 звуковых сигналов.

Примечание

Если было установлено текущее время (см. настройка часов), на дисплее будет отображаться текущее время.

Готовые программы (автоматическое приготовление)

1. В режиме ожидания поверните ручку вправо, чтобы выбрать вариант готовой программы.
2. Нажмите **«START / +30 Sec. / CONFIRM»**, чтобы подтвердить настройки.
3. Поверните ручку, чтобы установить вес блюда.
4. Нажмите **«START / +30 Sec. / CONFIRM»**, чтобы начать приготовление.

Таблица автоматических программ

Программа	Вес	Мощность микроволн
Пицца	200 г	100 %
	400 г	
Мясо	250 г	100 %
	350 г	
	450 г	
Овощи	200 г	100 %
	300 г	
	400 г	
Паста	50 г (и 450 г холодной воды)	80 %
	100 г (и 800 г холодной воды)	
Картофель	200 г	100 %
	400 г	
	600 г	
Рыба	250 г	80 %
	350 г	
	450 г	
Напиток	1 чашка (120 мл)	100 %
	2 чашки (240 мл)	
	3 чашки (360 мл)	
Попкорн	50 г	100 %
	100 г	


Быстрый запуск/увеличение времени

1. В режиме ожидания нажмите **«START / +30 Sec. / CONFIRM»**, начнется приготовление в режиме **100 %** мощности микроволн в течение **30 сек.** Каждое последующее нажатие **«START / +30 Sec. / CONFIRM»** увеличит время приготовления на **30 секунд**. Максимальное время приготовления – **95 минут**.

2. В режимах микроволн, гриля, комбинированного приготовления или разморозки по времени нажмите **«START / +30 Sec. / CONFIRM»**, чтобы увеличить время на **30 секунд**.



3. В режиме ожидания поверните ручку влево, чтобы настроить время работы, после нажмите **«START / +30 Sec. / CONFIRM»**. Это запустит приготовление на полной мощности установленной длительности.


Функция блокировки

1. В режиме ожидания нажмите  на **3 секунды** – будет настроен режим блокировки панели управления. На дисплее будет отображаться текущее время, если оно было настроено, а также символ **⏸**.


2. Для отключения режима блокировки нажмите  на **3 секунды**.

Функция запроса

При работе микроволновой печи в режимах микроволн, гриля, комбинированного приготовления нажмите  и , в течение **3 секунд** на дисплее будет отображаться текущая мощность.

Если во время приготовления нажать , в течение **3 секунд** на дисплее будет отображаться текущее время, если оно было установлено (см. раздел **«Настройка часов»**).

Использование Stop / Clear

1. При настройке режима работы нажатие  сбрасывает выбранные Вами значения.

2. При нажатии  во время приготовления программа будет остановлена.

Технические особенности

1. Если во время приготовления открыть дверцу микроволновой печи, то для продолжения приготовления следует закрыть дверцу и нажать **«START / +30 Sec. / CONFIRM»**. Настройки режима и времени будут сохранены.

2. Если была выбрана программа приготовления, но кнопка **«START / +30 Sec. / CONFIRM»** не нажата в течение **1 минуты** – на дисплее будет показано текущее время, настройка будет автоматически отменена.



Примечание

Каждое нажатие на кнопку сопровождается коротким звуковым сигналом. Отсутствие звукового отклика означает, что нажатие было недостаточным.

Материалы, которые можно использовать в микроволновой печи

Посуда	Примечание
Блюдо для обжаривания	Следуйте инструкциям производителя. Нижняя часть формы для обжаривания должна быть не менее чем на 5 мм выше поворотного стола. Неправильное использование может привести к поломке
Столовая посуда	Только для микроволновой печи. Следуйте инструкциям производителя. Не используйте посуду с трещинами или сколами
Стеклянные банки	Всегда снимайте крышку. Используйте только для разогрева пищи до теплого состояния. Большинство стеклянных банок не являются термостойкими и могут разбиться
Изделия из стекла	Только термостойкая посуда для микроволновой печи. Убедитесь, что нет металлической отделки. Не используйте посуду с трещинами или сколами
Пакеты для приготовления пищи в духовке	Следуйте инструкциям производителя. Не закрывайте металлической стяжкой. Сделайте прорезы, чтобы выходил пар
Бумажные тарелки и чашки	Используйте только для кратковременного приготовления/разогрева. Не оставляйте микроволновую печь без присмотра во время приготовления
Бумажные полотенца	Используйте, чтобы накрыть продукты для разогрева и поглощения жира. Используйте под присмотром только для кратковременного приготовления пищи
Пергамент	Используйте в качестве покрытия, чтобы предотвратить разбрызгивание, или обертки для пропаривания
Пластик	Только для микроволновой печи. Следуйте инструкциям производителя. Должна быть маркировка «Микроволновая печь». Некоторые пластиковые контейнеры размягчаются, когда пища внутри нагревается. Пакеты для варки и плотно закрытые полиэтиленовые пакеты должны быть надрезаны, проколоты или вентилированы в соответствии с указаниями на упаковке
Полиэтилен	Только для микроволновой печи. Используйте для покрытия продуктов во время приготовления, чтобы сохранить влагу. Не допускайте, чтобы полиэтиленовая пленка касалась пищи
Вощеная бумага	Используйте в качестве покрытия, чтобы предотвратить разбрызгивание или удерживать влагу

Материалы, которые не следует использовать в микроволновой печи

Посуда	Примечание
Алюминиевый поднос	Может вызвать искрение. Переложите продукты в посуду, пригодную для использования в микроволновой печи
Коробка для пищевых продуктов с металлической ручкой	Может вызвать искрение. Переложите продукты в посуду, пригодную для использования в микроволновой печи
Металлическая посуда или посуда с металлической отделкой	Металл защищает пищу от микроволновой энергии. Металлическая отделка может вызвать искрение
Металлические завязки	Могут вызвать искрение и стать причиной пожара в микроволновой печи
Бумажные пакеты	Могут вызвать пожар в микроволновой печи
Пенопласт	Пенопласт может расплавиться или загрязнить жидкость внутри при воздействии высокой температуры
Древесина	Древесина высохнет при использовании в микроволновой печи и может расколоться или треснуть

Проведение очистки микроволновой печи

При тщательном уходе и очистке Ваша микроволновая печь надолго сохранит свою привлекательность и функциональность.

В данном руководстве по эксплуатации приводится описание правильного ухода и правильной очистки изделия.

Проникающая влага может привести к удару электрическим током. Не используйте очиститель высокого давления или пароструйные очистители.

Почарапанное стекло дверцы прибора может треснуть. Не используйте скребки для стекла, а также едкие и абразивные чистящие средства.

Недостаточная очистка может привести к повреждению поверхности. Возможен выход энергии микроволн наружу. Очищайте микроволновую печь своевременно и сразу же удаляйте из нее остатки продуктов.

Никогда не погружайте микроволновую печь в воду и не очищайте её под струёй воды.



Предупреждение

Недостаточная очистка или несоблюдение указаний по уходу за прибором может привести к удару током и травмированию.

Полезный совет: неприятные запахи, например, после приготовления рыбы, можно легко устранить. Налейте в чашку воды и добавьте несколько капель лимонного сока. Всегда кладите в ёмкость ложку, чтобы предотвратить запаздывание образования пузырьков. Нагревайте воду в печи в течение **1-2 минут** при самой высокой мощности микроволн.

Во избежание повреждения различных поверхностей в результате применения неподходящих чистящих средств следуйте указаниям в таблице ниже.

Не используйте:

- Едкие или абразивные чистящие средства.
- Металлические скребки или скребки для стеклянных поверхностей для очистки стекла дверцы.
- Металлические скребки или скребки для стеклянных поверхностей для очистки уплотнителя дверцы.
- Жёсткие мочалки и губки.
- Чистящие средства, содержащие большой процент спирта.

Зона очистки	Чистящее средство
Передняя панель	Горячий мыльный раствор: очистите с помощью тряпочки и вытрите насухо мягким полотенцем. Не используйте для очистки металлические скребки или скребки для стеклянных поверхностей
Передняя панель из нержавеющей стали	Горячий мыльный раствор: очистите с помощью тряпочки и вытрите насухо мягким полотенцем. Немедленно удалите пятна извести, жира, крахмала и яичного белка. Под такими пятнами может возникать коррозия. Специальные средства для очистки изделий из нержавеющей стали можно приобрести в сервисной службе или специализированном магазине. Не используйте для очистки металлические скребки или скребки для стеклянных поверхностей
Внутренние поверхности из нержавеющей стали	Горячий мыльный раствор: очистите с помощью тряпочки и вытрите насухо мягким полотенцем. Не используйте спреи для духовых шкафов или любые другие агрессивные очистители для духовых шкафов, а также абразивные чистящие средства. Также не подходят жёсткие мочалки, грубые губки и средства для чистки посуды. Эти средства царапают поверхность. Хорошо высушите внутренние поверхности
Эмалированные поверхности	Используйте специализированные неабразивные чистящие средства, предназначенные для таких поверхностей, и мягкую тряпку. Нанесите средство на влажную тряпку и протрите поверхность. Смойте чистящее средство водой и вытрите поверхность насухо. Нельзя использовать абразивные чистящие средства и губки для посуды

Углубление на дне рабочей камеры	Влажная тряпочка: вода не должна попадать через привод вращающейся подставки внутрь микроволновой печи. Насухо вытрите привод вращающейся подставки мягкой тряпочкой
Вращающаяся подставка и роликое кольцо	Горячий мыльный раствор: следите за тем, чтобы вращающаяся подставка была правильно зафиксирована при установке обратно в рабочую камеру
Стёкла дверцы	Средство для очистки стёкол: очистите с помощью тряпочки. Не используйте скребок для стеклянных поверхностей

Советы по устранению неисправностей

Перед обращением в сервисную службу попробуйте устранить возникшую неисправность самостоятельно, следуя указаниям из таблицы.

Если неисправность не устраняется, обратитесь в ближайший сервисный центр.

Обратите внимание, что следующие состояния являются нормальными при работе микроволновой печи.

Нормальное состояние	
Работа микроволновой печи мешает работе телевизора или радио	Во время работы микроволновой печи могут возникать помехи при приеме радио и телевидения. Это похоже на помехи от небольших электроприборов, таких как миксер, пылесос и электрический вентилятор. Это нормально
Тусклый свет внутри рабочей камеры	При приготовлении пищи в микроволновой печи с малой мощностью свет в рабочей камере может стать тусклым. Это нормально
Пар скапливается на двери, горячий воздух выходит из вентиляционных отверстий	При приготовлении пищи из продуктов может выходить пар. Большая часть выйдет из вентиляционных отверстий. Возможна конденсация в прохладном месте, например на дверце микроволновой печи. Это нормально

Неисправность	Возможная причина	Способ устранения/ указания
Микроволновая печь не работает	Неисправен предохранитель	Проверьте предохранитель в блоке предохранителей
	Отключение электроэнергии	Проверьте, работают ли остальные бытовые приборы
	Неисправна розетка	Проверьте розетку
Не работают программы микроволновой печи	Дверца неплотно закрыта	Закройте дверцу рабочей камеры

Информация по гарантии

- В течение гарантийного периода изделие должно обслуживаться только уполномоченным сервисным центром.

- Любые электротехнические работы, проведения которых требует обслуживание микроволновой печи, должны выполняться только квалифицированным электриком или компетентным специалистом.

- Должны использоваться только оригинальные запасные части.

Адрес и телефонный номер ближайшего к Вам сервисного центра Вы можете найти на сайте www.millen.eu или в гарантийном талоне.

- При вызове специалистов из сервисного центра, сообщите им, пожалуйста, номер модели и заводской номер Вашей микроволновой печи.

- Подробные условия гарантийного обслуживания Вы найдете в гарантийном талоне внутри упаковки.

Сохраняйте гарантийный талон. Дополнительные элементы и аксессуары, приобретаемые в дополнение, не входят в гарантию на изделие.

Материалы, которые необходимо заменить с течением времени и в зависимости от интенсивности использования, как указано в руководстве по эксплуатации, не подпадают под действие гарантии.

Данная гарантия не распространяется на сбои, возникающие в результате ненадлежащего или коммерческого использования микроволновой печи, в том числе:

1. Любые повреждения и неисправности, возникающие в результате установки и использования микроволновой печи с нарушением инструкций, приведенных в руководстве.

2. Любые повреждения и неисправности, возникающие при погрузке и разгрузке микроволновой печи после ее доставки заказчику.

3. Повреждения и неисправности из-за пожара и/или молнии.

4. Вмешательство в конструкцию и ремонт оборудования кем-либо, кроме уполномоченного лица.

5. Проблемы, возникающие при монтаже любой детали, кроме поставляемых производителем.

Продавец, дилер, агентство или представитель, у которого потребитель приобретает изделие, несет ответственность за выдачу и доставку гарантийного талона потребителю. Фальсификация талона, удаление и уничтожение оригинального серийного номера на изделии делает гарантию недействительной.

В случае несоблюдения мер осторожности, указанных в руководстве в отношении изделий из нержавеющей стали, могут появиться почернение, окисление и волны на поверхности. Такие условия не подпадают под действие гарантии.

Предупреждения о транспортировке и обработке

- Во время обработки соблюдайте знаки, указанные на картонной коробке. Если требуется транспортировка:
- Сохраняйте оригинальную упаковку.
- Перевозите в оригинальной упаковке и соблюдайте знаки, указанные на упаковке.

Если оригинальная упаковка недоступна, не помещайте тяжелые предметы на микроволновую печь.

Пожалуйста, соблюдайте следующие меры.

1. Приобретая микроволновую печь, получите гарантийный талон.
2. Если Вам требуется обслуживание изделия, Вы можете обратиться в авторизованный сервисный центр.

Срок службы: 10 лет. Производитель гарантирует, что в течение этого периода запасные детали для изделия будут доступны.

Производитель оставляет за собой право вносить изменения в конструкцию изделия без предварительного уведомления с целью улучшения характеристик.

Наша бытовая техника постоянно совершенствуется, улучшаются характеристики, обновляется дизайн, поэтому рисунки и обозначения, приведенные в данном руководстве, могут несколько отличаться от приобретенной Вами модели.

Обслуживание и запасные детали

При необходимости Вы можете приобрести запасные детали для своей микроволновой печи в сервисном центре.

В упаковке находится список сервисных центров. Чтобы запросить запасную деталь при обращении в сервисный центр или к дилеру, укажите версию изделия из таблицы на корпусе микроволновой печи.



Благодарим Вас за выбор техники MILLEN!

Мы заботимся о наших покупателях на каждом шаге взаимодействия с брендом: от момента выбора и до гарантийного обслуживания.

Если Вы столкнулись с неисправностью в работе техники, оставьте заявку на обслуживание на официальном сайте elxir.pro



Программа Elexir распределяет заявки только в **авторизованные сервисные центры**, прошедшие аттестацию службы качества бренда MILLEN.



100% оригинальные запчасти

Все запчасти производитель MILLEN напрямую отправляет в сервисные центры мастерам.



Квалифицированные мастера ремонта крупной встраиваемой бытовой техники.



elxir.pro



Утилизируйте упаковку с соблюдением правил экологической безопасности.

Материалы, используемые для упаковки данного изделия, пригодны для вторичной переработки.

Перед тем как утилизировать отслужившее изделие приведите его в нерабочее состояние, чтобы оно не представляло опасность.

Для этого отсоедините микроволновую печь от сети питания и обрежьте кабель питания. Для защиты окружающей среды важно, чтобы старые приборы утилизировались надлежащим образом.

Не утилизируйте данное изделие вместе с бытовым мусором.

Используйте специализированные пункты сбора отходов. Обратитесь в местные органы власти для получения информации о ближайших пунктах сбора.

Когда электрооборудование отправляется на мусорные полигоны, то опасные вещества, попав в грунтовые воды и далее в пищевые цепочки, могут навредить Вашему здоровью и самочувствию. В зависимости от законодательных требований при замене старого прибора на новый дилер может быть обязан забрать Ваш старый прибор для утилизации.

Согласно ст. 26 законодательного декрета от 14 марта 2014 года № 49 «Исполнение директивы 2012/19/ЕС об утилизации отходов электронного и электрического оборудования (RAEE)»: знак перечеркнутого мусорного бака, приведенный на приборе или на его упаковке, означает, что по завершении срока службы прибора его необходимо утилизировать отдельно от других отходов.

Поэтому пользователь должен будет сдать отслуживший прибор в подходящие муниципальные центры по раздельному сбору отходов электронного и электрического оборудования.

В качестве альтернативы самостоятельной утилизации можно сдать прибор дилеру на момент приобретения нового равнозначного прибора.

Кроме того, в точках продаж электронных, электрических изделий, площадь которых превышает 400 м², можно, приобретая новое изделие, бесплатно, без каких-либо обязательств сдавать электронные приборы размером менее 25 см, подлежащие утилизации.

Надлежащий раздельный сбор отходов, отслуживших электроустройств для последующей переработки и утилизации, совместимый с охраной природы, позволяет избежать негативного воздействия на окружающую среду и здоровье людей, а также способствует повторному использованию материалов, из которых состоит прибор.

MILLEN активно участвует в сохранении окружающей среды:

- Осуществлен переход к использованию материалов, уменьшающих воздействие на окружающую среду в процессах производства и эксплуатации.
- В производстве применяются более экологически чистые хладагенты.
- Сокращено потребление энергии и воды, как в процессе производства техники, так и путем внедрения экономичных решений в модели техники.
- Используем перерабатываемые и переработанные материалы в производстве самой бытовой техники и в упаковке.

Техника MILEN соответствует стандартам устойчивого развития и оценкам экологических характеристик.

Путаетесь в терминах, связанных с переработкой? Словарик всего из пяти слов поможет разобраться:



1. Разборка отходов — начальный этап переработки, когда из всего, поступившего для переработки, выбирают только то, что подходит для вторичного использования.



2. Сортировка отходов — уже отобранные элементы, детали, части корпусов сортируют в зависимости от материала изготовления: пластик, металл, стекло и т.д.



3. Рециклинг — применение отходов по прямому назначению, а также их возврат в производственный цикл (после определенной подготовки).



4. Утилизация отходов, брака, отслуживших изделий — их повторное применение, использование для изготовления чего-то нового, сюда входят и оказание услуг, и выполнение работ, и рециклинг.



5. Переработка — в отличие от утилизации это именно процесс превращения отходов в энергию или новую продукцию.

Для улучшения качества жизни на всех уровнях мы предлагаем каждому участвовать в экологичной утилизации – не выбрасывать, а сдавать отслужившую технику.



Manufacturer, importer / Производитель, импортер:

LEMAL L.L.C-FZ

Business Center 1, M Floor, The Meydan Hotel, Nad Al Sheba, Dubai, U.A.E.

The serial number is indicated on the device in the following format: SAAAAAYYMMBBBB, where SAAAAA represents the model code, YY indicates the manufacturing year, MM represents the manufacturing month, and BBBB indicates the model number within the batch.

Серийный номер указан на устройстве в следующем формате: SAAAAAYYMMBBBB, где SAAAAA — код модели, YY — год изготовления, MM — месяц изготовления, BBBB — номер модели в партии.





Manufacturer:
LEMAL L.L.C-FZ
Business Center 1, M Floor, The Meydan Hotel, Nad Al Sheba, Dubai, U.A.E.

الشركة المصنعة ١ مستوردين
ليمال ش.ذ.م.م-منطقة حرة

مركز الأعمال 1، طابق الميزانين، فندق الميدان، ند الشبا، دبي، الإمارات العربية المتحدة



يتم توضيح رقم التسلسل على الجهاز بالتنسيق التالي: SAAAAAYMMBBBB

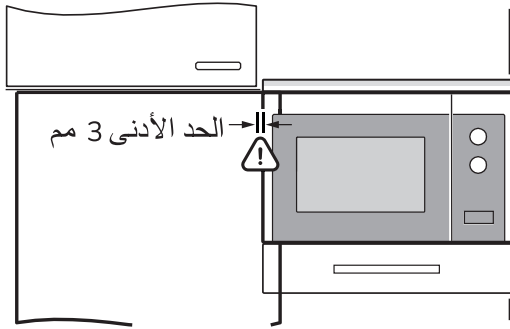
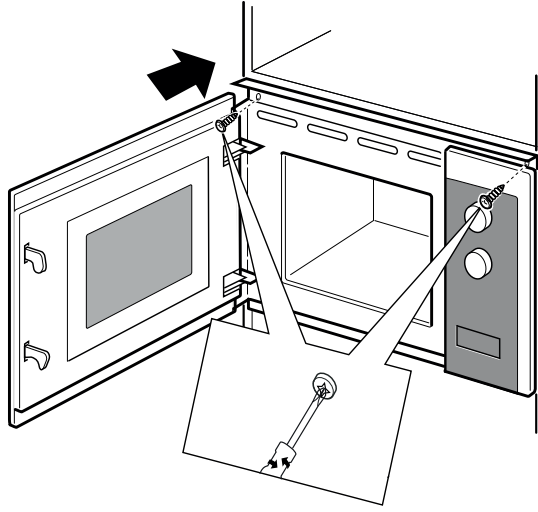
حيث SAAAAA يمثل رمز النموذج، YY

يشير إلى سنة التصنيع، MM يمثل شهر التصنيع، وBBBBB يشير إلى رقم النموذج في الدفعة.



www.lemal.ae

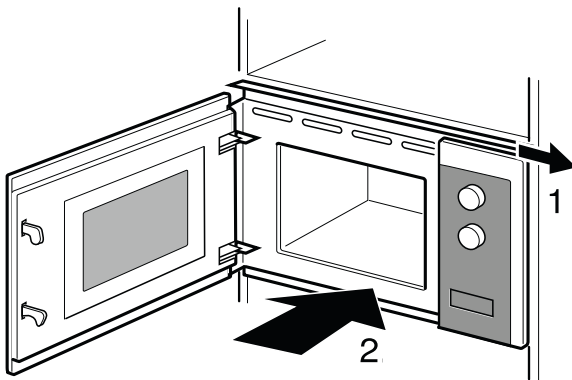
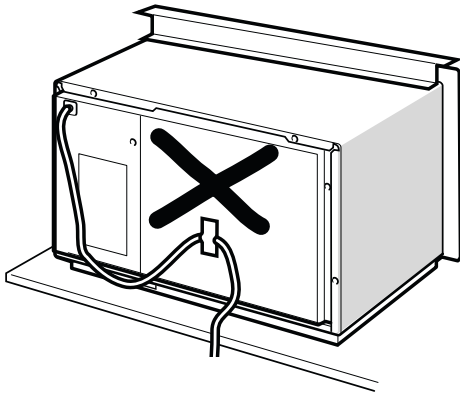
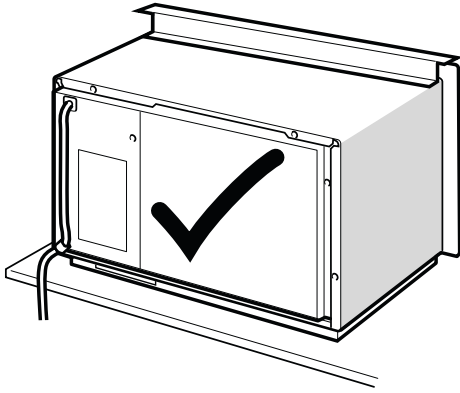
LEMAL.AE

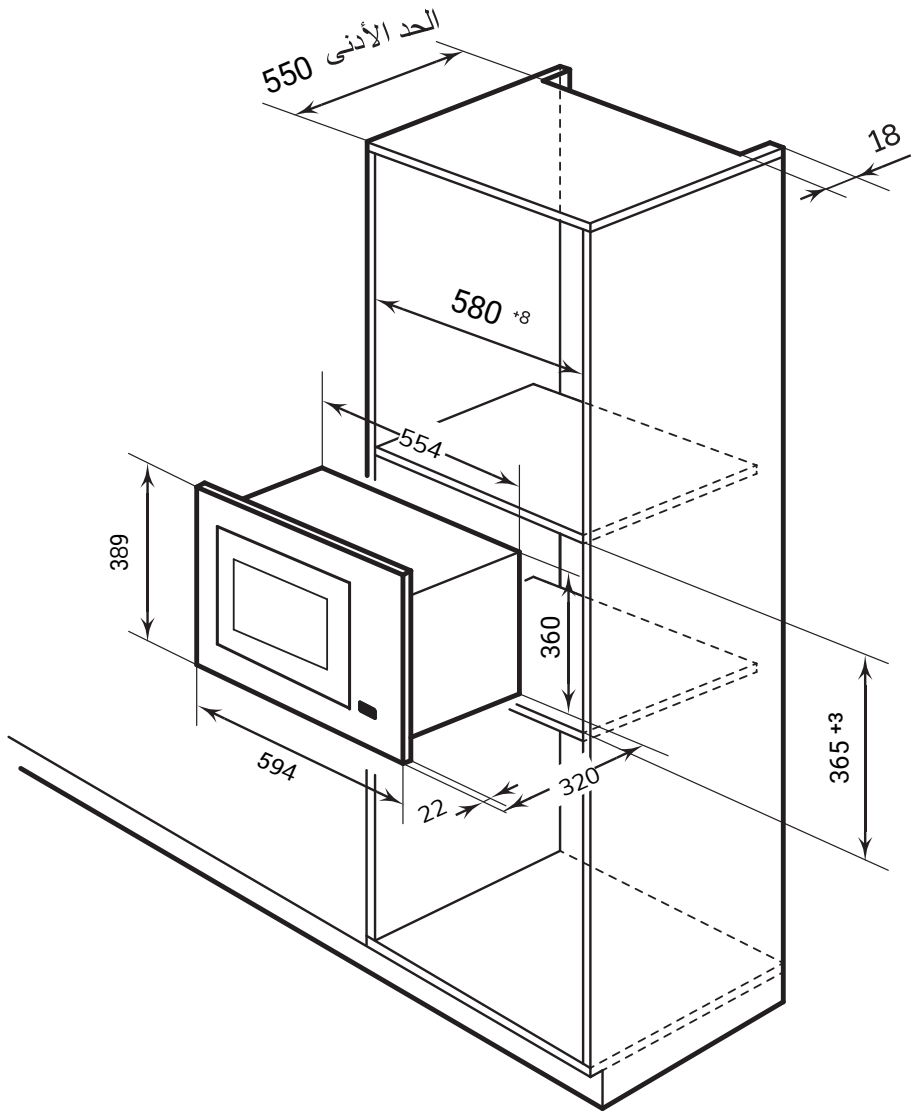


التوصيل بشبكة التيار الكهربائي

فرن الميكروويف مزود بقابس ويجب توصيله فقط بمقبس مؤرض مركب بشكل صحيح. ولا يجوز إلا لفني الكهرباء المؤهل الذي يأخذ في الاعتبار القواعد ذات الصلة في تركيب المقبس أو استبدال كابل التوصيل. في حالة تعذر على المستخدم الوصول إلى القابس بعد التركيب، فيجب تركيب مفتاح متعدد الأقطاب بمسافة بين الأسلاك لا تقل عن 3 مم على جميع الأقطاب.

الشكل 2



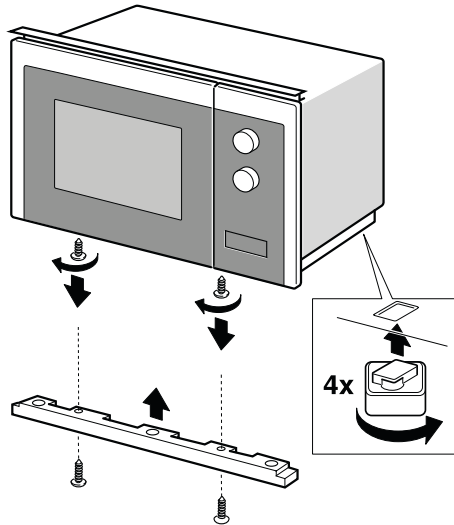
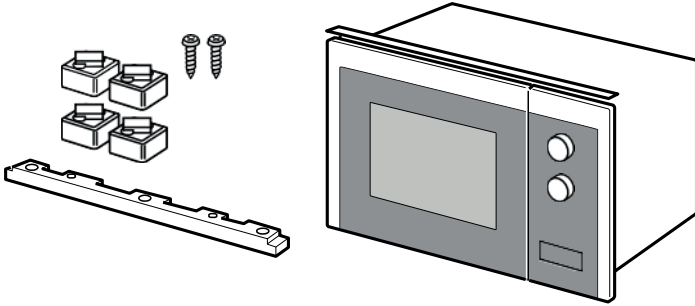


ملاحظة



يسمح فقط بالانحرافات الإيجابية بالنسبة لجميع الأبعاد. الأبعاد موضحة بالمليمتر.
صمم فرن الميكروويف وصنع لأغراض الاستخدام المنزلي فقط. يجب تركيب فرن الميكروويف
وتحديد موقعه وتشغيله على النحو الصحيح وفقا للإرشادات الواردة في دليل التعليمات هذا.
الأبعاد الواردة في الرسومات هي لأغراض تصميمية بحتة. ولأسباب مختلفة، قد يكون هناك
انحراف بسيط بين الأبعاد الفعلية والتصميمية. والبيانات المذكورة هنا تستخدم كمرجع فقط.

الشكل 1



التركيب والتوصيل

قبل تركيب فرن الميكروويف وتوصيله، اقرأ احتياطات السلامة في دليل التعليمات هذا. تأكد من أن عبوة التغليف وفرن الميكروويف لم يتعرضا لأضرار أثناء النقل. في حالة العثور على أضرار، فإن عملية التركيب والتوصيل غير مسموح بها بعد تخزين فرن الميكروويف في درجات حرارة منخفضة أو بعد نقله في ظروف الشتاء، يمنع تشغيله قبل مرور 4 ساعات من وجوده في درجة حرارة الغرفة خارج عبوة التغليف لا يوصى بتركيب فرن الميكروويف على مقربة من أجهزة التلفزيون أو الراديو أو الهوائي لتجنب التداخل الموجي عند استقبال قنوات التلفزيون والراديو يتعين مسح الجزء الداخلي لفرن الميكروويف والباب بقطعة قماش مبللة قبل الاستخدام.

انتباه

1. صمم فرن الميكروويف هذا فقط للاستخدام المدمج.
2. يرجى اتباع تعليمات التركيب المذكورة في هذا الدليل.
3. يجوز تركيب فرن الميكروويف في خزانة حائط بعرض 60 سم.
4. فرن الميكروويف مزود بقابس ويجب توصيله بمقيس مؤرض مركب بشكل صحيح.
5. يجب أن يتطابق جهد التيار الكهربائي مع الجهد الموضح على لوحة الخصائص.
6. يمنع استخدام المحولات والأشرطة متعددة النطاقات وأسلاك التمديد. قد يؤدي التحميل الزائد إلى نشوب حريق

تعليمات التركيب

الحد الأدنى لارتفاع التركيب: 850 ملم. يمنع تغطية فتحات التهوية ومجرى الهواء. يجب ألا تكون هناك لوحة مطبخ خلف الجزء الخلفي من فرن الميكروويف (انظر الصور).



خطر التعرض لصعقة كهربائية: قد تتسبب بعض المكونات الداخلية في حدوث إصابة خطيرة أو الوفاة.
لا تقم بتفكيك فرن الميكروويف بنفسك.

يجب أن يكون فرن الميكروويف مؤرضًا. في حالة حدوث ماس كهربائي، يقلل التأريض من خطر حدوث صدمة كهربائية عن طريق السماح للتيار بالتدفق عبر سلك التأريض. تم تجهيز فرن الميكروويف بسلك طاقة وسلك تأريض وقابس. يجب إدخال القابس في مقبس مثبت ومؤرض بشكل صحيح.

إذا كانت لديك أسئلة حول التأريض أو توصيل الميكروويف بشبكة الطاقة الكهربائية، فيجب عليك استشارة كهربائي أو فني خدمة مؤهل.

لا تتحمل الشركة المصنعة أي مسؤولية عن التلف أو الإصابة الناتجة عن توصيل فرن الميكروويف بمصدر طاقة بدون حماية أو حماية معطلة.

يتضمن هذا الجهاز سلك طاقة قصير لتجنب التشابك أو حدوث ثني للسلك.

قبل الاستخدام، اقرأ بعناية الأقسام المخصصة للتركيب والتشغيل! إذ تحتوي هذه الأقسام على معلومات مهمة حول التثبيت والاستخدام والصيانة. احتفظ بجميع الوثائق للرجوع إليها مستقبلاً أو لنقلها إلى المالك التالي.

يمكن أن تشكل الشقوق والكسور في القاعدة الزجاجية الدوارة خطرًا. تعامل مع القاعدة الدوارة بحذر.

احتياطات السلامة لأنواع معينة من المنتجات

قد تنفجر المنتجات ذات القشرة أو الجلد الصلب أثناء التسخين وبعده. يمنع غلي البيض في قشرته أو إعادة تسخين البيض المسلوق. لا تقم أبدًا بغلي المحار أو القشريات. عند تحضير البيض المقلي، يجب ثقب صفار البيض. قد تنفجر قشرة المنتجات الغذائية ذات القشرة أو الجلد السميك، مثل التفاح والبطاطس والبطاطس والبقانق. قم بثقب القشر أو الجلد قبل الطهي. يمكن أن تسخن أطعمة الأطفال بشكل غير متساو. يمنع تسخين أغذية الأطفال في حاوية مغلقة. قم دائمًا بإزالة الغطاء أو الحلقة. بعد التسخين، قم بتحريك المحتويات أو رجها جيدًا؛ وقبل إطعام طفلك، تأكد من فحص درجة الحرارة. تنبعث الحرارة من الأطباق الساخنة. وقد تصبح أواني الطهي ساخنة جدًا. استخدم دائمًا قفازات الفرن لإزالة أدوات الطهي والملحقات من حجرة الطهي. قد تنفجر العبوات محكمة الغلق عند تسخينها. اتبع دائمًا التعليمات المدونة على العبوة. يمنع منعًا باتًا تسخين السوائل أو الأطعمة الأخرى في أواني محكمة الغلق. يمكن أن يؤدي عدم التنظيف الكافي إلى تلف السطح. وقد تتسرب طاقة موجات الميكروويف إلى الخارج. نظف الجهاز في الوقت المناسب وأزل بقايا الطعام على الفور.

نظام الحماية من حدوث ماس كهربائي

قد يؤدي الاستخدام غير الصحيح للتأريض إلى حدوث صدمة كهربائية. لا تقم بتوصيل القابس بالمأخذ حتى تركيب فرن الميكروويف وتأريضه بشكل صحيح.

اتبع دائماً التعليمات الواردة في دليل التعليمات هذا. يمنع تجفيف الطعام في فرن الميكروويف. كما يمنع تذويب أو طهي الأطعمة ذات المحتوى المنخفض من الماء، مثل الخبز، باستخدام طاقة قصوى لفرن الميكروويف أو لفترة طويلة جداً. قد يشتعل الزيت عند طهي الطعام. يمنع منعاً باتاً تسخين الزيت النباتي في فرن الميكروويف. قد يصبح فرن الميكروويف مصدرًا للخطر إذا تم إصلاحه بشكل غير صحيح. يجب أن يتم إجراء أي أعمال إصلاح واستبدال للأسلاك والأنتايب فقط من قبل متخصصي الخدمة الذين خضعوا لتدريب خاص.

إذا كان فرن الميكروويف معطلاً، فقد يتسبب في حدوث إصابة أو صدمة كهربائية. في هذه الحالة، افصل الجهاز عن التيار الكهربائي عن طريق سحب القابض من المقبس أو فصل المصهر. اتصل بفني خدمة الصيانة.

احرص على عدم ملامسة الكابل بأجزاء ساخنة من الأجهزة الكهربائية الأخرى. قد يؤدي تسرب الماء إلى داخل الجهاز إلى حدوث صدمة كهربائية. يمنع استخدام المنظفات المضغوطة بشدة أو أجهزة التنظيف البخار. لا تستخدم فرن الميكروويف عندما تكون درجة الحرارة أو الرطوبة مرتفعة للغاية.

يعمل الميكروويف تحت جهد عالي. لا تقم أبداً بفتح الجهاز بنفسك. يمكن أن ينكسر الزجاج المخدوش في باب الجهاز. لا تستخدم كاشطات الزجاج أو المنظفات الكاوية أو الكاشطة لتنظيف الزجاج. قد يؤدي استخدام أواني الطهي غير المناسبة إلى انفجارها. قد تحتوي مقابض وأغطية الأواني الفخارية والخزفية على ثقوب صغيرة بها فراغات. فإذا تسربت الرطوبة إلى هذه الفراغات، فقد تتفجر الأواني. استخدم دائماً الأواني المصممة لفرن الميكروويف.

يمكن أن يؤدي استخدام الأواني المعدنية أو الحاويات المعدنية أو الأواني ذات التركيبات المعدنية في وضع الميكروويف إلى حدوث شرارة. وقد يؤدي ذلك إلى تلف فرن الميكروويف. وبالتالي يمنع استخدام الحاويات المعدنية في وضع الميكروويف.

قد تنكسر القاعدة الزجاجية الدوارة. لا تسمح بحدوث تلامس حاد بين العناصر الصلبة والقاعدة الزجاجية الدوارة.



تحذير

قد تصبح الأجزاء الخارجية ساخنة جداً أثناء الاستخدام.
لتجنب حدوث صدمة كهربائية، افصل فرن الميكروويف عن التيار الكهربائي قبل صيانته أو تنظيفه.
قد تصبح الأجزاء الداخلية ساخنة أثناء الاستخدام.
وقد يؤدي عدم اتباع احتياطات السلامة إلى حدوث أضرار شخصية أو أضرار في الممتلكات بسبب الحريق أو الصدمة الكهربائية أو الإصابة أو الانفجار!

لا تترك الأطفال دون مراقبة وهم على مقربة من الجهاز.
كن حذرًا وتجنب ملامسة عناصر التسخين.
عندما يعمل فرن الميكروويف، قد يصبح الباب أو السطح الخارجي ساخنًا للغاية.
لا يمكن تشغيل الميكروويف باستخدام مؤقت خارجي أو جهاز تحكم عن بعد.
لا تسمح للأطفال دون سن 8 سنوات بالاقتراب من فرن الميكروويف أو سلك الطاقة الخاص به.

قد تشتعل العناصر القابلة للاشتعال المخزنة في حجرة الطهي.
يمنع تخزين وحفظ مواد قابلة للاشتعال في حجرة العمل.
لا تفتح باب فرن الميكروويف إذا كان هناك دخان بالداخل. أطفئ فرن الميكروويف أو افصل سلك الطاقة أو افصل المصهر الموجود في علبة المصهرات.

قد تكون الملحقات أو الأواني المستخدمة في فرن الميكروويف ساخنة جدًا. استخدم دائمًا قفازات الفرن لإخراجها من حجرة الطهي.
قد يكون الاستخدام غير السليم لفرن الميكروويف ولأغراض غير مخصصة له، خطيرًا وقد يؤدي إلى تلفه.

استخدم فرن الميكروويف فقط لتحضير الطعام والمشروبات.
قد تشتعل بعض الأطعمة.
لا تقم أبدًا بتسخين الطعام في عبوات حرارية محكمة الغلق.
لا يجوز إعادة تسخين الطعام في أوعية مصنوعة من البلاستيك أو الورق أو غيرها من المواد القابلة للاشتعال إلا تحت المراقبة.

يجب تركيب فرن الميكروويف في مكان مناسب يسهل الوصول إليه وعلى ارتفاع مناسب، بحيث يكون الوصول إلى الجزء الداخلي للفرن ومنطقة التحكم مريح.

قبل استخدام فرن الميكروويف لأول مرة، قم بتشغيله لمدة 10 دقائق مع وضع كوب من الماء بداخله.

إذا لاحظت أي صوت أو دخان أو رائحة احتراق عند تشغيل فرن الميكروويف، قم بإيقاف تشغيله فوراً وفصل سلك الطاقة. ثم اتصل بأقرب مركز خدمة.

يجب أن تكون هناك مساحة كافية حول فرن الميكروويف لضمان سهولة الوصول إلى قابس سلك الطاقة.

استخدم فرن الميكروويف فقط في الأماكن المغلقة.

صمم فرن الميكروويف هذا للاستخدام على ارتفاعات لا تتجاوز 4000 متر فوق مستوى سطح البحر.

قم دائماً بوضع الأواني والملحقات في مكانها الصحيح داخل فرن الميكروويف.



تحذير

لتجنب المخاطر الناجمة عن تسرب إشعاعات الميكروويف، يجب إجراء جميع الإصلاحات التي تتطلب إزالة أي أغطية من قبل موظفين مؤهلين فقط.

يجب أن يستخدم الأطفال فرن الميكروويف فقط تحت إشراف الكبار عند استخدامه في وضع الطهي التقليدي أو الوضع المشترك، حيث يمكن أن تؤدي درجات الحرارة العالية إلى حدوث حروق.

يصبح الجهاز ساخناً أثناء الاستخدام، كن حذراً وتجنب ملامسة عناصر التسخين داخل فرن الميكروويف.

يمنع استخدام منظفات البخار. لا تستخدم المنظفات الكاشطة أو المواد الكيميائية النشطة أو الكاشطات المعدنية الحادة لتنظيف الباب الزجاجي لفرن الميكروويف، حيث يمكن أن يؤدي ذلك إلى خدش أو تشقق الزجاج.

- في البيوت الريفية.
- في المؤسسات التي تقدم إقامة كاملة.
- استخدم فقط أواني الطهي المناسبة للاستخدام في فرن الميكروويف (انظر قسم المواد التي يمكن استخدامها في فرن الميكروويف).

عند تسخين الطعام في أواني طهي ورقية أو بلاستيكية، راقب العملية فقد يحدث اشتعال. يحظر استخدام أواني الطهي المعدنية في أفران الميكروويف. في حالة ظهور دخان، يجب إيقاف تشغيل فرن الميكروويف أو فصله عن التيار الكهربائي وترك الباب مغلقًا لاحتواء النيران. يُستخدم فرن الميكروويف لتسخين الطعام والمشروبات فقط. وقد يؤدي استخدامه لتجفيف الطعام أو الملابس أو الوسائد المصنوعة من الحبوب أو الحبوب أو تدفئة الوسائد أو الإسفنج أو القماش الرطب إلى حدوث إصابة أو اشتعال أو حريق. قد يؤدي تسخين السوائل في أواني الطهي في فرن الميكروويف إلى غليانها ببطء، لذا كن حذرًا واتخذ الاحتياطات اللازمة.

عند تسخين السوائل، قد يحدث تأخر في الغليان. في هذه الحالة، تصل درجة الحرارة إلى درجة الغليان دون ظهور فقاعات مميزة في السائل. حتى مع اهتزاز الحاوية الطفيف، يمكن أن يبدأ السائل الساخن في الغليان فجأة ويتطاير. يمكنك وضع ملعقة في الحاوية أثناء التسخين. إذ سيساعد هذا على منع تأخر الغليان.

يجب خض محتويات زجاجات وأوعية أغذية الأطفال أو رجاها وفحص درجة الحرارة قبل تقديمها لتجنب حدوث حروق.

لا ينبغي تسخين البيض بقشرته والبيض المسلوق في أفران الميكروويف، إذ قد ينفجر حتى بعد اكتمال التسخين في الميكروويف.

يجب تنظيف فرن الميكروويف بانتظام حتى تتم إزالة الأوساخ ومنع تراكمها.

إذ قد تؤدي الأوساخ إلى تلف الجهاز وتقليل العمر الافتراضي له، أو حتى إلى حدوث خطر. يمنع تنظيف الجهاز الكهربائي باستخدام تيار من الماء أو جهاز تنظيف البخار.

تعد إزالة غلاف فرن الميكروويف، والذي يحمي من تأثيرات موجات الميكروويف الكهرومغناطيسية، أمرًا خطيرًا للغاية.

يمكن فقط للفنيين المؤهلين إجراء أي أعمال صيانة أو إصلاح لفرن لميكروويف تتطلب إزالة الغلاف.

احرص دائمًا على نظافة حجرة العمل والباب ومحدد فتح الباب.

قد تتسرب أشعة الميكروويف من خلال باب حجرة العمل التالف. يمنع استخدام الجهاز في حالة تلف الباب. اتصل بفني خدمة الصيانة.

يمكن أن تتسرب أشعة الميكروويف من الأجهزة التي لا تحتوي على غلاف واقٍ. لذا لا تقم أبدًا بإزالة الغلاف الواقي. اتصل بفني الخدمة لصيانة الجهاز أو إصلاحه.

يمنع تسخين السوائل والأطعمة الأخرى في أواني طهي مغلقة لأنها قد تنفجر.

يمنع وضع أي أشياء بين اللوحة الأمامية للفرن والباب، ولا تسمح بتراكم الأوساخ أو بقايا المنظفات على الأسطح الغلق.

في حالة تلف سلك الطاقة، يجب استبداله من قبل الشركة المصنعة أو وكيل الخدمة أو أي شخص مؤهل آخر لتجنب المواقف الخطرة.

لا ينبغي للأشخاص الذين يعانون من إعاقات جسدية أو حسية أو عقلية، أو الأطفال، أو الأشخاص الذين ليس لديهم معرفة أو خبرة كافية، استخدام هذا الجهاز إلا إذا كانوا تحت إشراف شخص مسؤول عن سلامتهم، أو إذا تم تدريبهم على كيفية استخدامه بأمان.

يمكن استخدام فرن الميكروويف من قبل الأطفال الذين تزيد أعمارهم عن 8 سنوات والأشخاص ذوي الإعاقة الجسدية أو الحسية أو العقلية والأشخاص الذين ليس لديهم خبرة أو معرفة كافية فقط إذا كانوا تحت إشراف شخص مسؤول عن سلامتهم أو تلقوا تعليمات مناسبة تمكنهم من استخدام الجهاز بأمان وتعطيهم فكرة عن المخاطر المرتبطة باستخدامه.

لا ينبغي للأطفال اللعب بالجهاز. احرص على عدم ترك الأطفال يلعبون بالجهاز.

يجب أن يقوم الأطفال بتنظيف الجهاز وصيانته فقط تحت إشراف شخص بالغ.

يمكن استخدام فرن الميكروويف هذا في المنازل، وكذلك:

- في المطابخ الخاصة بالموظفين في المتاجر والمكاتب ومناطق العمل الأخرى.
- من قبل العملاء في الفنادق وبيوت الشباب وغيرها من الأماكن السكنية الأخرى.

احتياطات السلامة

عند الشراء، تأكد من أن المنتج غير تالف ومكتمل وأن قسيمة الضمان المقدمة من شركة البيع مُملوءة بشكل صحيح. وتأكد أيضًا من أن معايير الشبكة الكهربائية تتوافق مع معايير فرن الميكروويف الموضحة على ملصق البيانات الفنية. في حالة عدم التطابق، يجب إجراء تعديلات على الشبكة الكهربائية وتركيب مقبس كهربائي. علاوةً على ذلك، يجب أن يقوم بأعمال التركيب الكهربائي متخصص مؤهل.

احفظ الدليل، فهو سيساعد في حل أي أسئلة قد تواجهك. لا تتحمل الشركة المصنعة (البائع) المسؤولية (بما في ذلك خلال فترة الضمان) بخصوص ما يلي:

- العيوب والأضرار التي تلحق بالمنتج نتيجة انتهاك تعليمات تخزينه أو تركيبه أو توصيله أو ظروف التشغيل أو القوة القاهرة (حريق أو فيضان أو ما إلى ذلك) أو تأثير الحيوانات الأليفة أو الحشرات أو القوارض.

- العواقب الناجمة عن الإصلاح على أيدي أشخاص غير مؤهلين.

قبل التثبيت، قم بفك تغليف فرن الميكروويف وفحصه. إذا وجدت أي أضرار، فلا تقم بتوصيله.



تحذير

لحماية فرن الميكروويف من التلف، يجب تركه مفتوحًا في درجة حرارة الغرفة لمدة لا تقل عن 4 ساعات قبل استخدامه في الطقس البارد.

صمم فرن الميكروويف لاستخدامه كجهاز مدمج، ولكن لا يُسمح بتثبيته خلف باب مزخرف لتجنب ارتفاع درجة حرارته.

يمنع تشغيل فرن الميكروويف وبابه مفتوحًا لأن ذلك قد يؤدي ذلك إلى التعرض لأشعة الميكروويف الضارة.

من المهم عدم كسر أو إتلاف آلية قفل الباب.

إذا كان الباب أو مانع التسرب الموجود على الباب تالفًا، فلا يُسمح باستخدام فرن الميكروويف حتى يتم إصلاحه بواسطة فني مؤهل.

66	احتياطات السلامة
58	التركيب والتوصيل



دليل المستخدم

MBW 381 BL | MBW 381 IX

AR فرن ميكرويف

